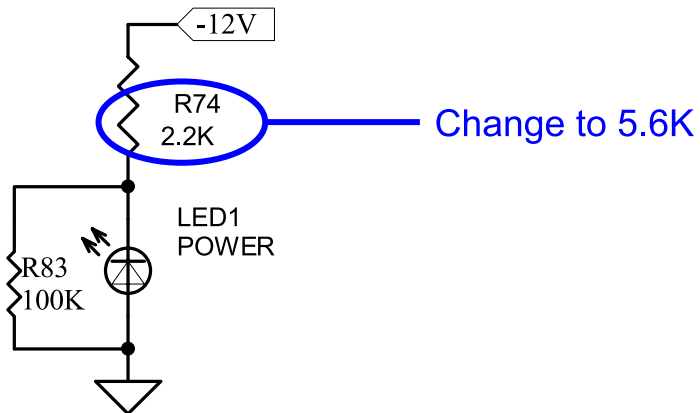


LED Intensity Modification MPower-6 and MPower-8

To reduce the LED's intensity, change R74 from 2.2K to 5.6K.

On schematics:
(page 3)



On component board:

