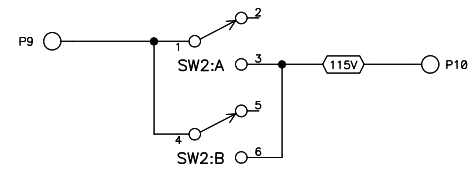
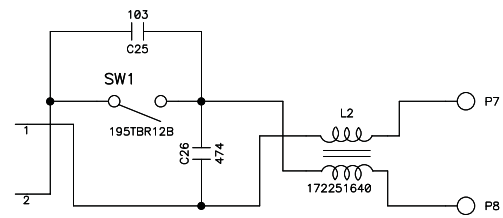
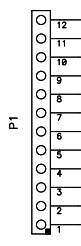
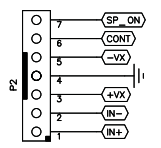
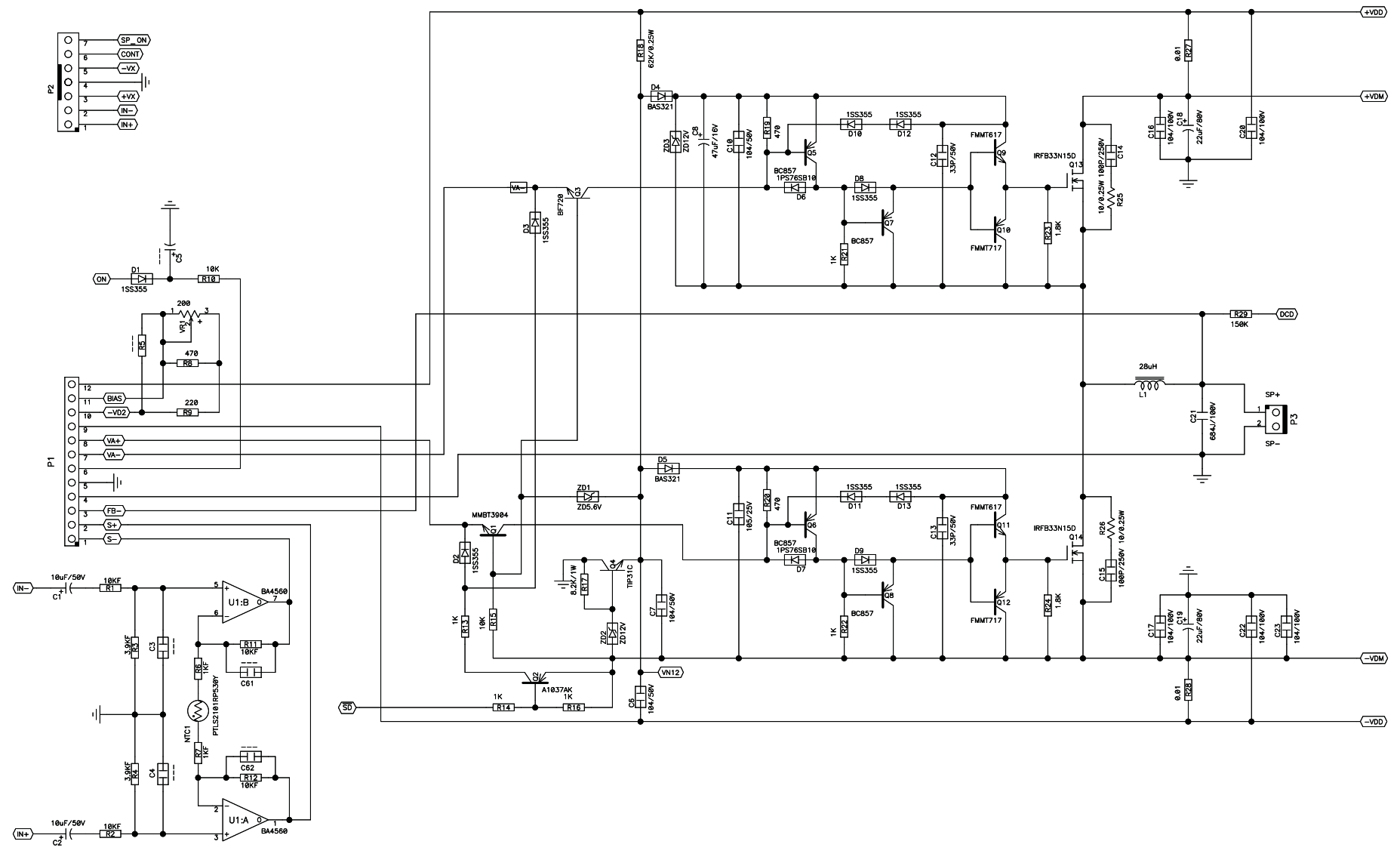


# EARTHQUAKE

|           |                          |
|-----------|--------------------------|
| MODEL NO. | 8" MINIME - 2014 VERSION |
| TITLE     | SCHEMATIC                |

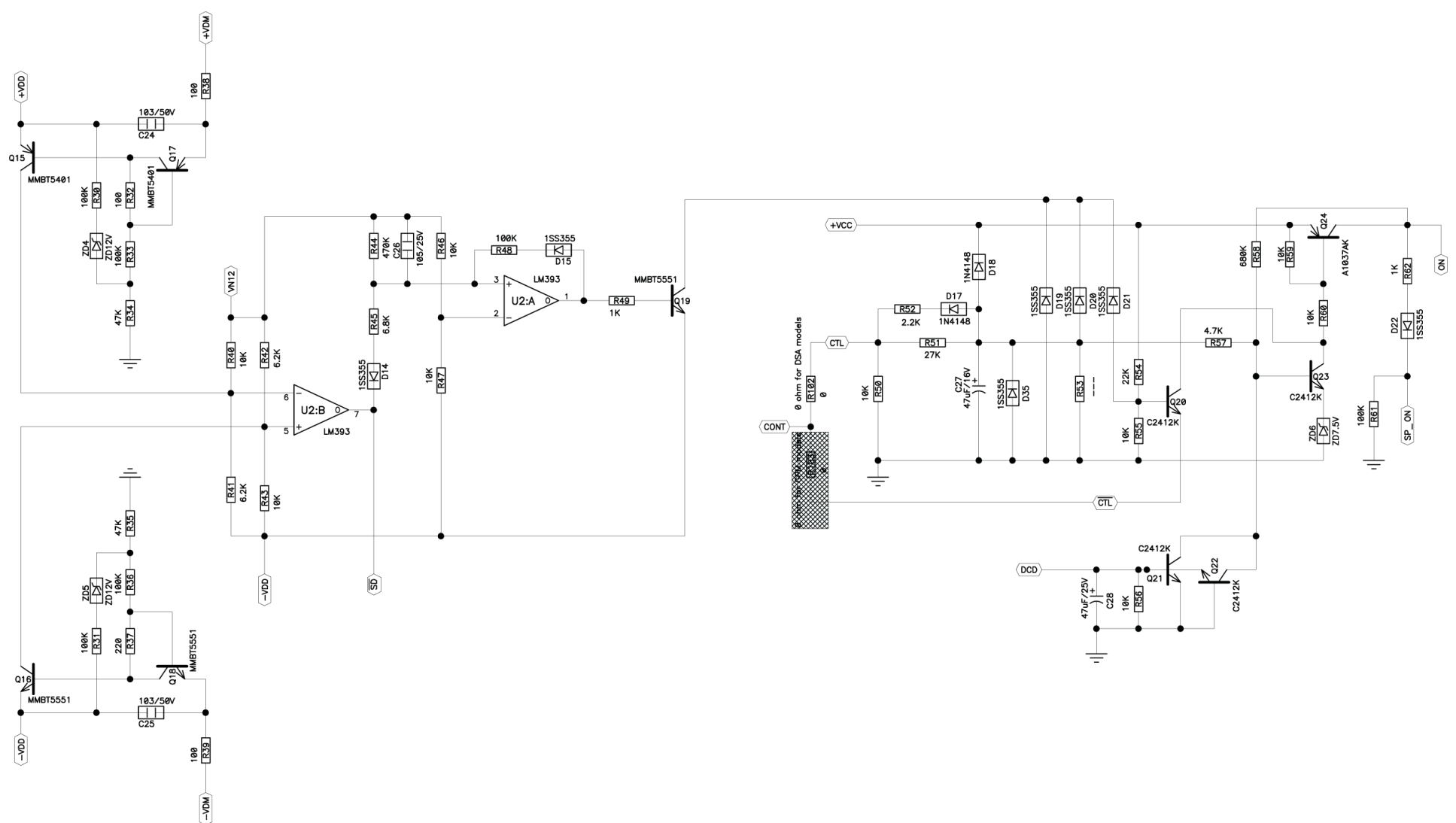


|                   |                          |
|-------------------|--------------------------|
| <b>EARTHQUAKE</b> |                          |
| MODEL NO.         | 8" MINIME - 2014 VERSION |
| TITLE             | AC INPUT SCHEMATIC       |

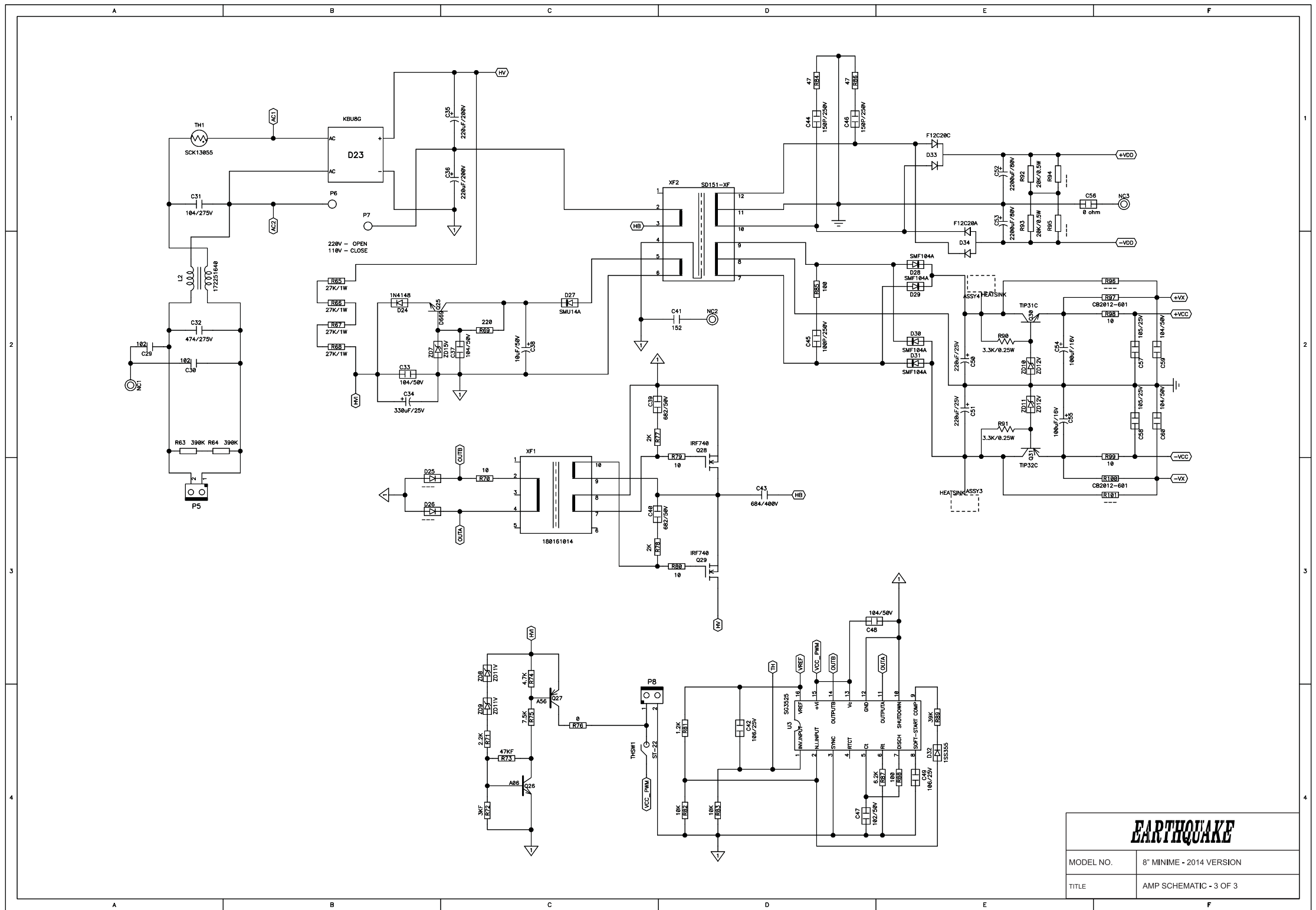


# EARTHQUAKE

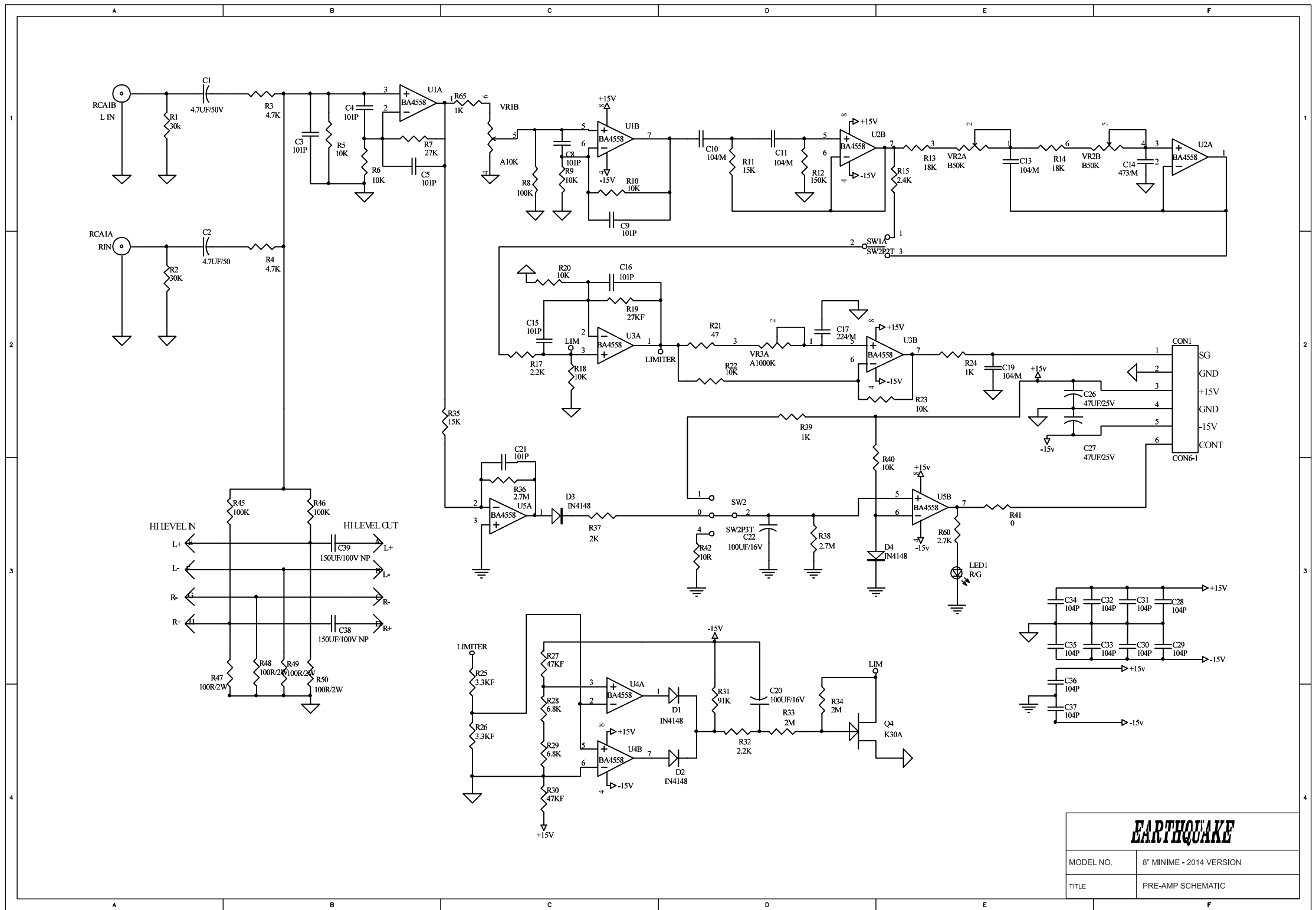
|           |                          |
|-----------|--------------------------|
| MODEL NO. | 8" MINIME - 2014 VERSION |
| TITLE     | AMP SCHEMATIC - 1 OF 3   |



|                   |                          |
|-------------------|--------------------------|
| <b>EARTHQUAKE</b> |                          |
| MODEL NO.         | 8" MINIME - 2014 VERSION |
| TITLE             | AMP SCHEMATIC - 2 OF 3   |



|                   |                          |
|-------------------|--------------------------|
| <b>EARTHQUAKE</b> |                          |
| MODEL NO.         | 8" MINIME - 2014 VERSION |
| TITLE             | AMP SCHEMATIC - 3 OF 3   |



# EARTHQUAKE

|           |                          |
|-----------|--------------------------|
| MODEL NO. | 8" MINIME - 2014 VERSION |
| TITLE     | PRE-AMP SCHEMATIC        |