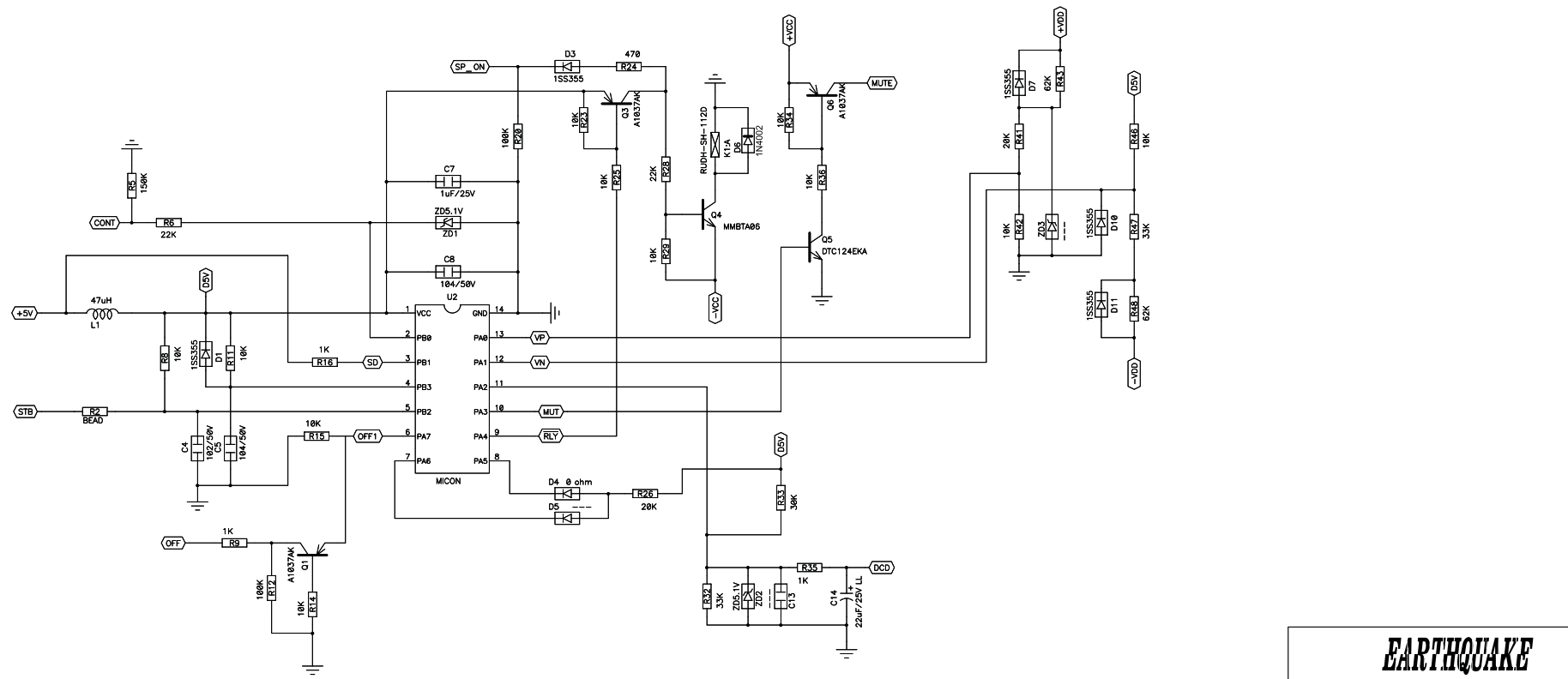
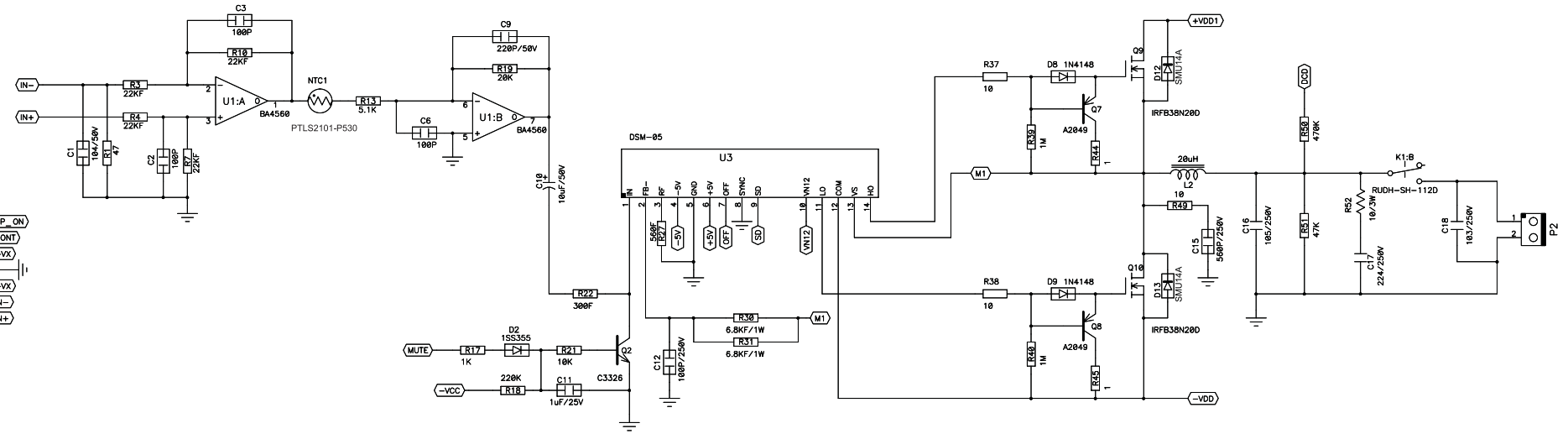
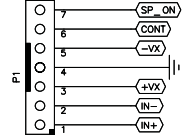
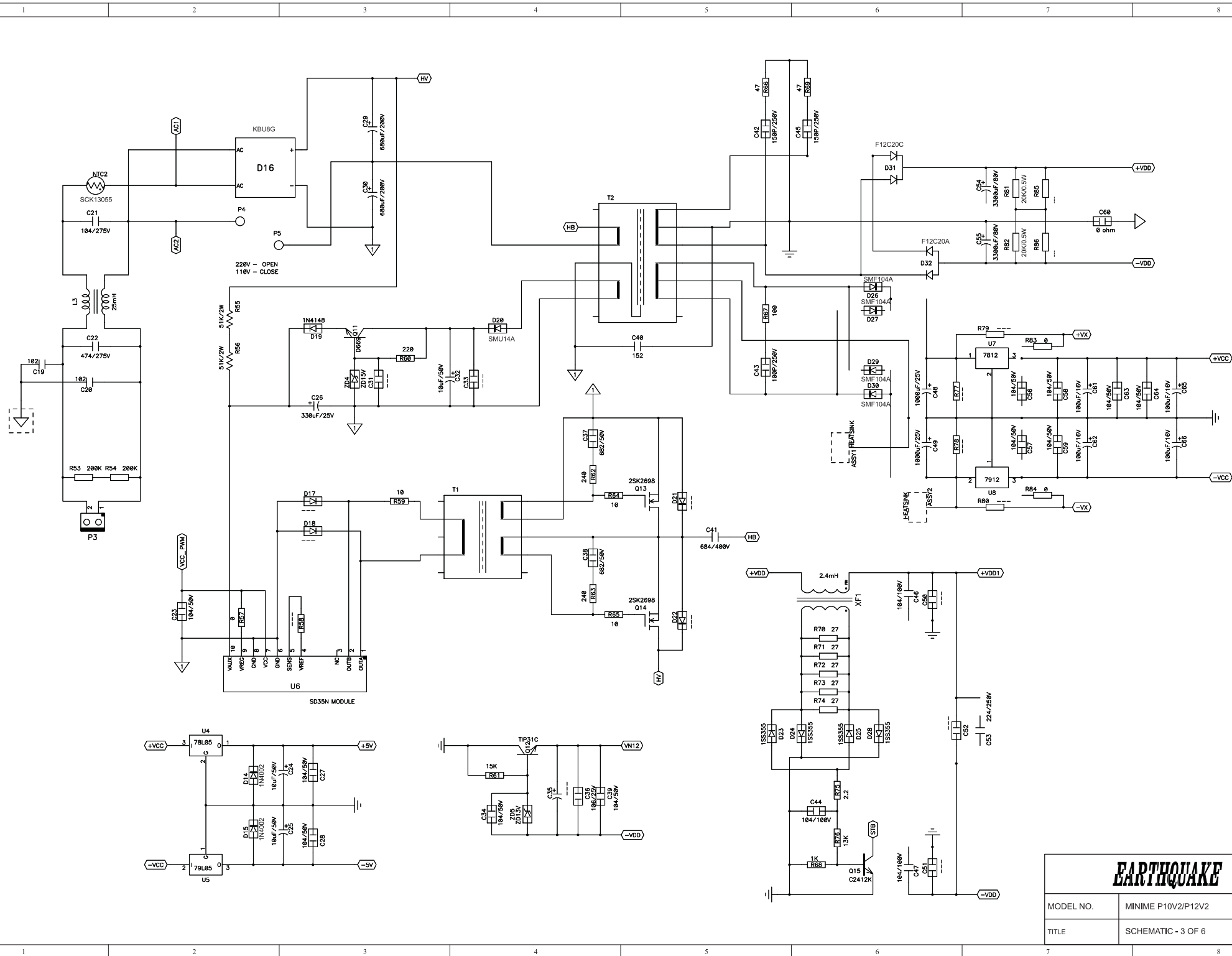


EARTHQUAKE

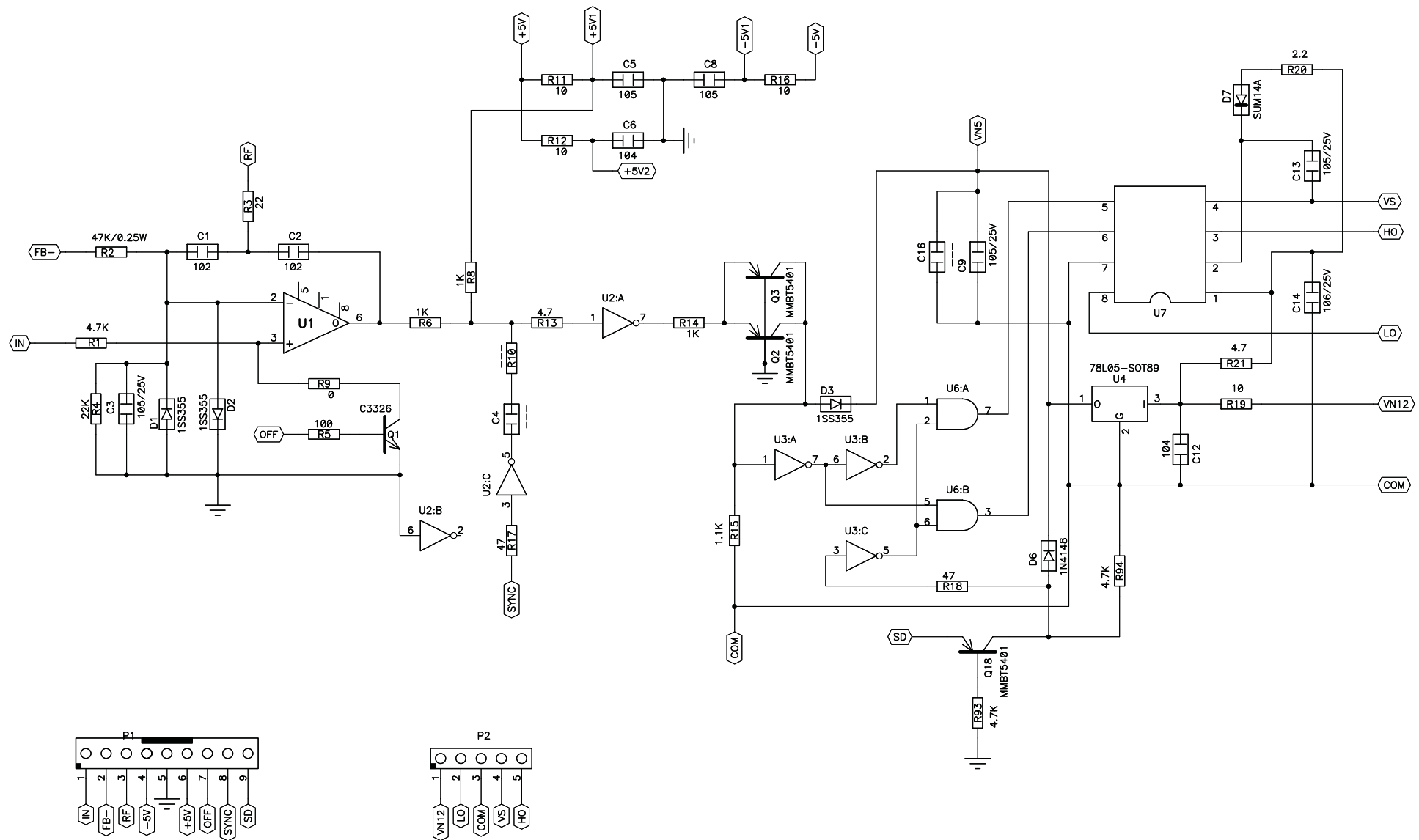
MODEL NO.	MINIME P10V2/P12V2
TITLE	SCHEMATIC - 1 OF 6



EARTHQUAKE	
MODEL NO.	MINIME P10V2/P12V2
TITLE	SCHEMATIC - 2 OF 6



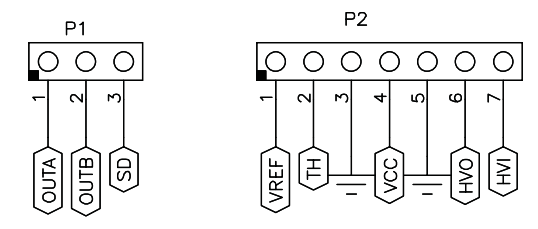
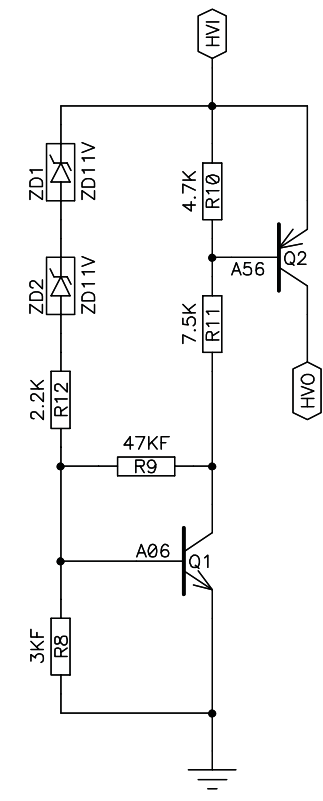
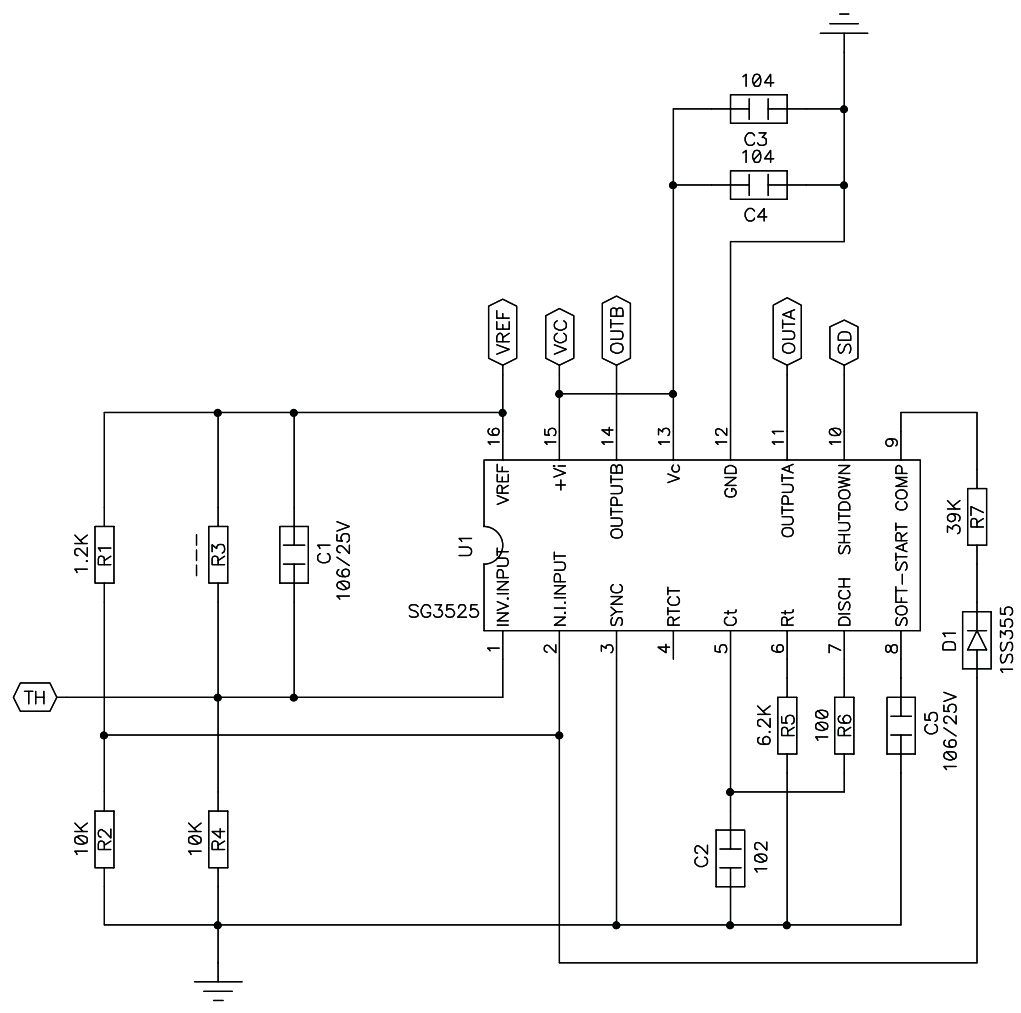
EARTHQUAKE	
MODEL NO.	MINIME P10V2/P12V2
TITLE	SCHEMATIC - 3 OF 6



EARTHQUAKE

MODEL NO. MINIME P10V2/P12V2

TITLE SCHEMATIC - 4 OF 6



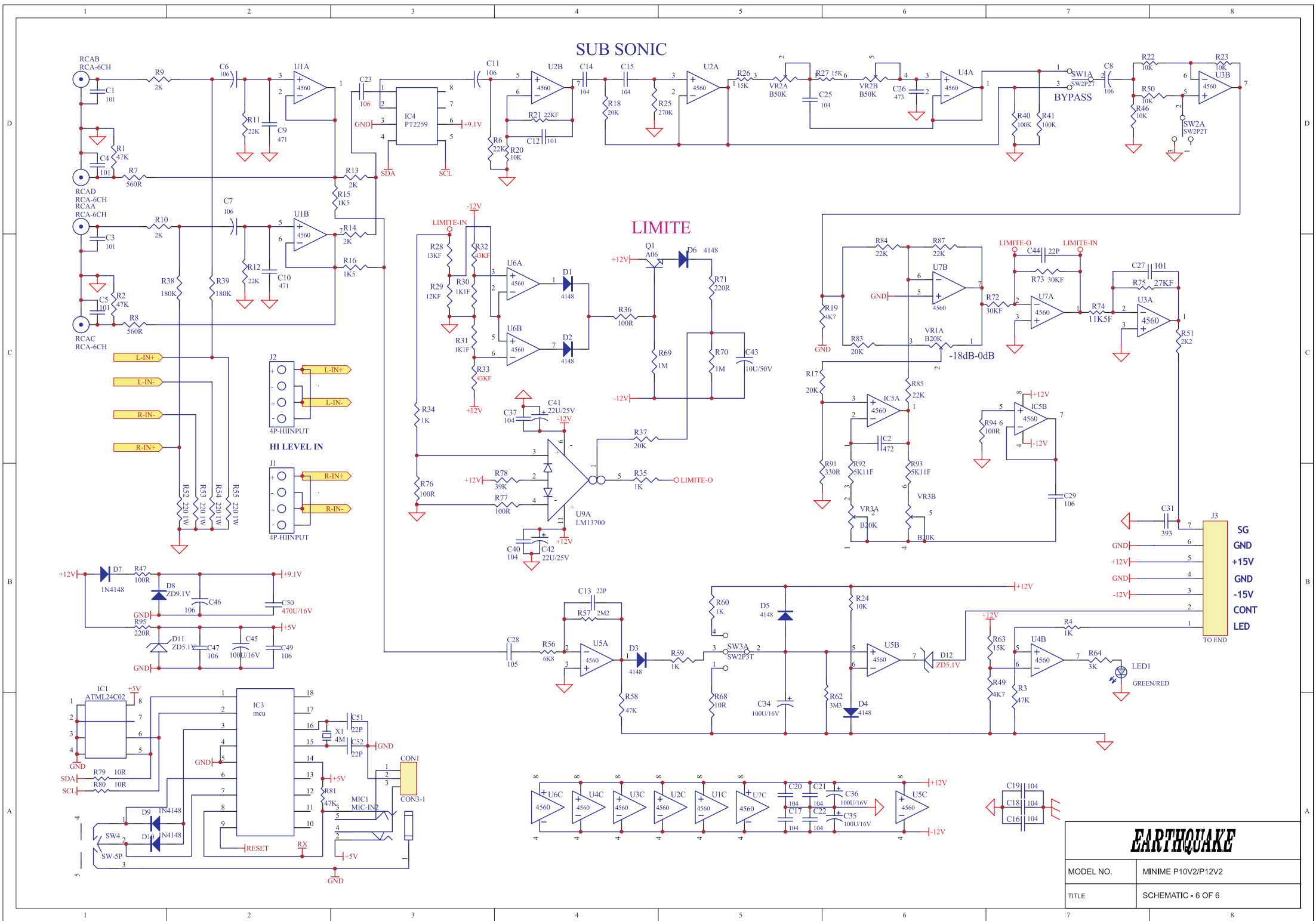
ASSY1	TPC-102	100804
-------	---------	--------

EARTHQUAKE	
MODEL NO.	MINIME P10V2/P12V2
TITLE	SCHEMATIC - 5 OF 6

SUB SONIC

LIMITE

EARTHQUAKE



MODEL NO.	MINIME P10V2/P12V2
TITLE	SCHEMATIC - 6 OF 6