

# Supernova MKVI Subwoofer

## Product Release



### FEATURES

- XLR / RCA Input Connections
- Variable Phase-Delay: Up to 20-  
ms
- Room Equalization
- Subsonic Filter
- Room Correction: 20Hz, 30Hz &  
40Hz Adjustable
- Phase Shift: 0-180°
- Dual Gains Internally Mixed
- Music Sensing ON/OFF
- SLAPS (Symmetrically Loaded  
Audio Passive System)
- Available In Black Ash Wood  
Veneer or Piano Black Lacquer  
Finish



**MKVI-12 Black Ash**  
Power: 600 Watts RMS  
Frequency Response: 16 - 130Hz  
**MSRP: \$2,399.00**

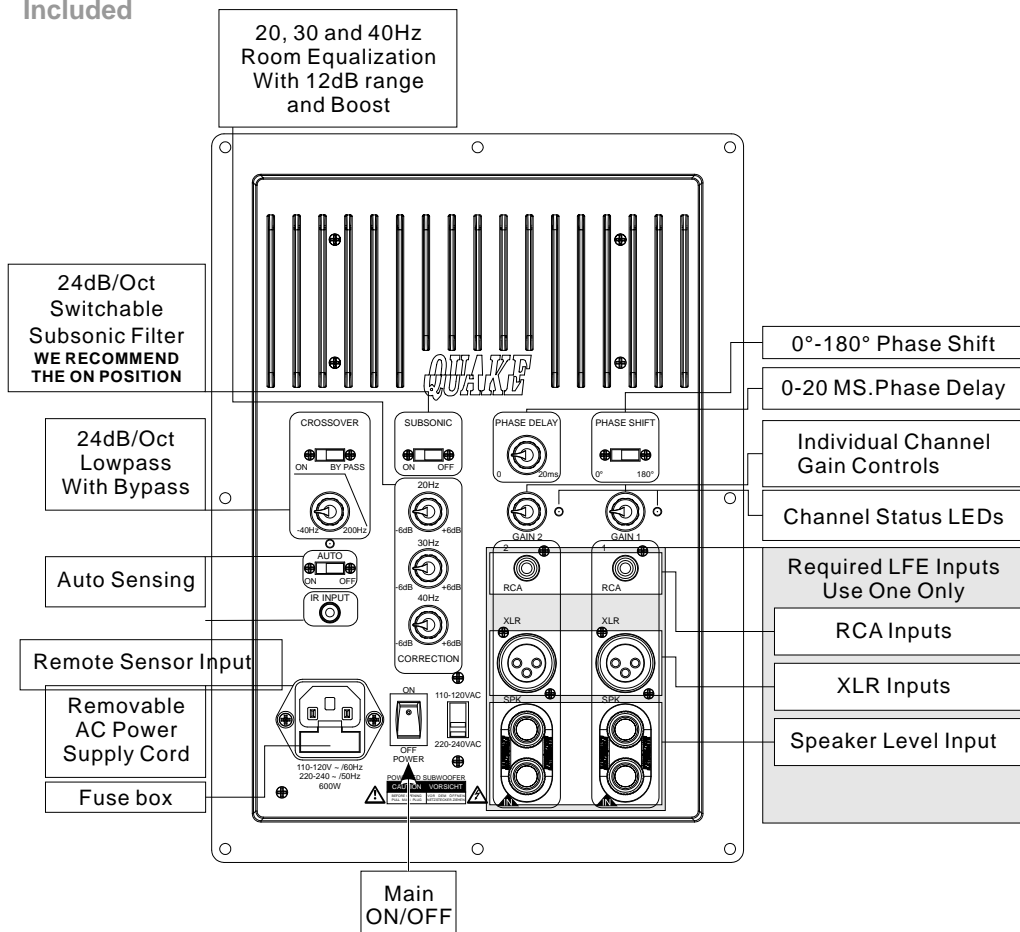
**MKVI-12 Piano Black**  
Power: 600 Watts RMS  
Frequency Response: 16 - 130Hz  
**MSRP: \$2,899.00**

**MKVI-15 Black Ash**  
Power: 600 Watts RMS  
Frequency Response: 15 - 120Hz  
**MSRP: \$2,899.00**

**MKVI-15 Piano Black**  
Power: 600 Watts RMS  
Frequency Response: 15 - 120Hz  
**MSRP: \$3,399.00**



\*Grilles, Remote and Remote Eye  
Included



### The Super Power Subwoofer

Earthquake Sound Corporation is proud to introduce the next generation SuperNova MK Series.

The new SuperNova MKVI includes an all-new recessed amplifier with built-in room correction. Many companies claim that they have room correction built into their amplifiers. However, their subs only use level adjustment by volume.

Earthquake's new SuperNova subwoofers with built-in IQ amplifiers deliver the tools you need to correctly adjust a room to precision audiophile status.

Most subs with built-in amps use a simple equalization method that does not correct the room's "phase" related problems. The new SuperNova MKVI subs have true room correction that take time reflections and refractions into consideration. These state of the art amplifiers fix both the arrival time and equalization while others try to equalize rooms by adjusting the volume. Would you call that room correction? The new 99% efficient SuperNova subs with IQ amplifiers address the actual phase correction problem along with the room EQ.