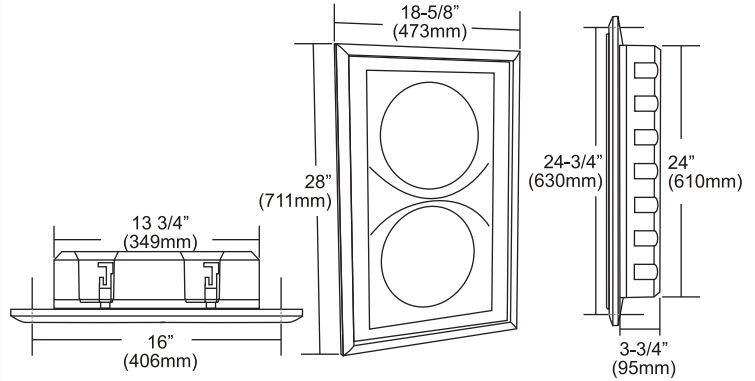


IW-SUB10

Thor 10" In-Wall Subwoofer

Model:
IW-SUB10



OBJECTIVE

The innovative Thor IW-Sub10 subwoofer systems are designed to dramatically increase a systems subharmonic presence, without any visual obstructions. The Thor literally delivers 20Hz of deep and accurate bass response from an in-wall application.

Now more than ever the over all appearance of a theater room or home theater system is a key deciding factor in what the end user will purchase. More importantly the Wife Acceptance Factor W.A.F. is a huge slice of the pie when a decision is being made.

Now consumers can have their cake and eat it too. Again Earthquake has addressed all factors with the Thor in-wall subwoofer. Audiophiles get massive excursion from an in-wall which leads to more usable bass output. Those who desire to have all the great sound, but would rather not have to look at it will be completely thrilled with the Thor's ability to be color matched to any decor.

INTENDED USE

- ✓ Contractors, Custom Installers & Retailers
- ✓ Home Theater/5.1 & 2-Channel Music Systems
- ✓ Stealth Speaker Systems to Compliment Plasma & LCD TV Installs
- ✓ Tactile Transducer Support
- ✓ New Construction and Retrofit

SPECIAL FEATURES & HIGHLIGHTS

- 16" center on center
- Bolts directly into studs(2x4s) from the front of the unit
- No annoying installation brackets
- Comes with standard metal mesh grille plus two custom cloth grilles, both of which are paintable. Additionally the cloth grilles frames accept virtually any type or color cloth that you can imagine
- Reinforced non-resonating back box assembly
- Patented components: both the 10" SWS subwoofer and 10" SLAPS passive radiator are patents owned by Earthquake
- 300-watt subwoofer driver
- 10" SLAPS Passive Radiator technology
- Dog ear clamps for added stability
- Spring loaded speaker terminals
- Down to 20Hz of non distorted output

SPECIFICATIONS

IW-SUB10	
Power Handling	300 Watts
Frequency Response	20Hz - 160Hz
Active Driver	Patented 10" SWS subwoofer
MSRP	\$899.00/pc