



FOCUS

Owner's Manual & Warranty

FOCUS

Precision
Sound Quality



Earthquake Sound reserves the right to amend details of the specifications without notice.
Copyright © Earthquake Sound Corporation
Earthquake Sound Corporation • 2727 McCone Avenue Hayward CA, 94545
Phone: 510-732-1000 Fax: 510-732-1095

2-WAY 4" COAXIAL SPEAKER

F4.0



2-WAY 4x6" COAXIAL SPEAKER

F4x6



MATCHED COMPONENT SET

FC5.2



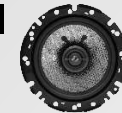
2-WAY 5.25" COAXIAL SPEAKER

F5.25



2-WAY 6.5" SHALLOW COAXIAL SPEAKER

FS6.5



2-WAY 5X7" COAXIAL SPEAKER

F5x7



MATCHED COMPONENT SET

FC6.2



3-WAY 6X9" COAXIAL SPEAKER

F6x9



3-WAY 6X9" COAXIAL SPEAKER

EQ-693



www.earthquakesound.com

Table of Content

Page# 2-3...Warranty Information and Guidelines

Page# 4.....Focus Component System Features, Tweeter & Crossover Specifications and Mounting Information

Page# 5.....Focus Component System Specifications & Included Items

Page# 6.....Focus Coaxial Features, Specifications and Mounting Information

Page# 7.....Focus Coaxial Included Items

Page# 8.....Custom and Factory Replacement Guide Lines

Page# 9.....Tweeter Installation

Page# 10.....Component set wiring diagram

Regarding Your Warranty:

Thank you for choosing Earthquake Sound's line of Focus coaxial and component speakers for superior enhancement of your vehicle's audio system. With proper installation and responsible listening, your Focus speakers will give you years of phenomenal listening enjoyment.

We strongly recommend you to have your new Focus speakers installed by an authorized Earthquake Sound dealer: Installation professionals employed by your dealer have the correct tools and knowledge to install your speakers neatly and successfully. Also, when your new products are installed by an authorized dealer, your product will include a FIVE YEAR LIMITED WARRANTY. If you choose to perform your own installation, your warranty will be subject to limitations. Over the counter authorized dealer warranties may vary from one dealer to the next. Please read the warranty information in its entirety and use good judgment when making these vital decisions.

Warranty and Guide Lines

Five (5) year limited warranty:

Earthquake warrants the original purchaser that all Factory Sealed New Audio Products be free from defects in material and workmanship under normal and proper use for a period of five (5) years from the date of purchase (as shown on the original bill of sale with serial number affixed/written on it). The five (5) year warranty period is valid only if an authorized Earthquake dealer properly installs the product and the warranty registration card is properly filled out and sent to Earthquake Sound Corporation. If a non-authorized party installs the product a ninety (90) day warranty period will be applied.

(A) Five (5) years limited warranty plan coverage guidelines:

- **First year:** Earthquake pays for labor, parts, and ground freight (only in US mainland, not including Alaska and Hawaii).
- **Second year:** Earthquake pays for labor and parts only, customer must pay freight both ways.
- **Third, fourth & fifth year:** Earthquake pays labor only. Customer must pay for parts and freight both ways.

(B) Warning:

Products (sent for repair) that are tested by Earthquake technicians and deemed to have no problem(s) will not be covered by the five (5) year limited warranty. Customer will be charged a minimum of one (1) hour of labor (ongoing rates) plus shipping charges back to customer.

Warranty Continued

(C) Earthquake will repair or replace - at our option - all defective products/parts subject to the following provisions:

- Defective products/parts have not been altered or repaired by other than an Earthquake factory approved technician.
- Products/parts are not subjected to negligence, misuse, improper use, or accident, damaged by improper line voltage, used with incompatible products, or have its serial number or any part of it altered, defaced or removed, or have been used in any way that is contrary to Earthquake's written instructions.

(D) Warranty Limitations:

Warranty does not cover products that have been modified or abused. Including but not limited to the following:

- Damages to speaker cabinet and cabinet finish due to misuse, abuse, or use of improper use of cleaning materials/methods.
- Bent speaker frame, broken speaker connectors, holes in speaker cone, surround & dust cap, burnt speaker voice coil.
- Fading, deterioration of speaker components & finish due to improper exposure to elements.
- Bent amplifier casing, damaged finish on the casing due to abuse, misuse, or improper use of cleaning material.
- Burnt tracers on PCB.
- Product/part damaged due to poor packaging or abusive shipping conditions.
- Subsequent damage to other products.

A warranty claim will not be valid if the warranty registration card is not properly filled & returned to Earthquake with a copy of the sales invoice.

(E) Service Request:

To receive product/s service, contact Earthquake service department at (510) 732-1000 and request an RMA number (Return Material Authorization), items shipped without a valid RMA number will be refused. Make sure you provide us with your complete/correct shipping address, a valid phone number, and a brief description of the problem you are experiencing with the product. In most cases, our technicians might be able to resolve the problem over the phone, thus eliminating the need to ship the product.

(F) Shipping Instructions:

Product/s must be packaged in its original protective box(s) to minimize transport damage. Shipper claims regarding items damaged in transit must be presented to carrier. Earthquake Sound Corporation reserves the right to refuse product improperly packed. Original bill of sale must accompany product returned for service. We encourage you to include with the package a written description of the problem. Ship product to: Earthquake Sound Corp. 2727 Mc Cone Avenue, Hayward, CA 94545. Ph (510) 732-1000. You are responsible for the cost of shipping the product to Earthquake Sound Corporation.

(G) Disputes Resolution:

All disputes - between clients and Earthquake Sound Corporation - resulting from the five (5) years limited warranty policy must be resolved according to the laws & regulations of the county of Alameda -California.

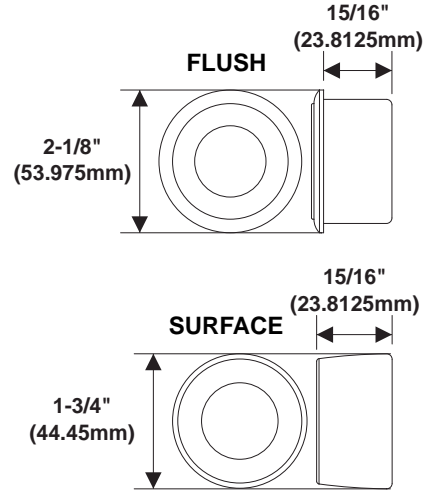
Alternatively you may register your products online at http://earthquakesound.com/form_reg.htm

FEATURES

- Low mass poly injection cone bodies for accuracy & sound quality
- High flow ventilation stamped steel basket design
- Over hung butyl rubber surround for more bass output
- NOMEX / ROMEX spider assemblies for strong durable suspension
- Shallow mount designs for American & foreign cars and trucks
- Multiple Tweeter Mounting Configurations:
 - Flush
 - Surface
 - Surface Angle
- Two-way passive crossover network with high-quality, low-tolerance capacitors

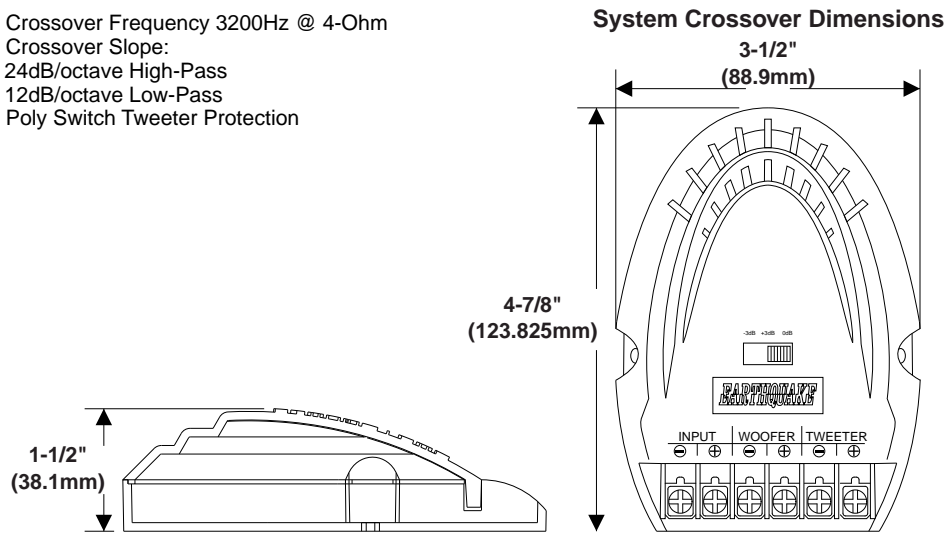
TWEETERS

Silk Dome With Neodymium Motor
 Diameter (inches) 1-1/2
 Diameter (mm) 38
 Impedance 4-Ohm
 Frequency Response 1kHz - 22kHz



SYSTEM CROSSOVER

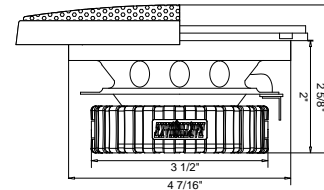
- Crossover Frequency 3200Hz @ 4-Ohm
- Crossover Slope:
 - 24dB/octave High-Pass
 - 12dB/octave Low-Pass
- Poly Switch Tweeter Protection



SPECIFICATIONS

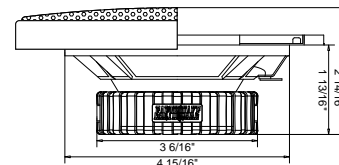
System Model	FC5.2	FC6.2
Diameter	5-1/4" (133mm)	6-1/2" (165mm)
Impedance	4-Ohm	4-Ohm
Frequency Response	35Hz to 22kHz (±3dB)	30Hz to 22kHz (±3dB)
Sensitivity	87dB @ 1W/1M	87dB @ 1W/1M
Power Handling	500 Watts MAX	600 Watts MAX
Mounting Diameter (inches)	4-7/16"	4-15/16"
Mounting Diameter (mm)	114mm	125mm
Mounting Depth (inches)	2"	1-13/16"
Mounting Depth (mm)	51mm	45mm

FC5.2 / 2-Way Component System:



- Two Focus-C5.25, 5.0-inch (127mm) poly cone woofers
- Two Focus-TW-25S, 1-inch (25mm) silk dome tweeters
- Two Focus crossover networks
- Two metal woofer grilles with trays
- Two compact flush-mount fixtures
- Two compact angle-mount fixtures
- Butyl adhesive putty for woofer grilles
- Eight 8 x 1-1/2" (38mm) wood screws
- Eight custom installation mounting clips
- Eight 8 x 1" (25mm) sheet metal screws
- Eight factory installation mounting clips
- Two 1" (25mm) machine screws
- Two metal spring clips for tweeter fixtures
- Four speaker wire bundles with pre-attached connectors

FC6.2 / 2-Way Component System:



- Two Focus-C6.5, 6 1/2" (165.1mm) poly cone woofers
- Two Focus-TW-25S, 1" (25mm) silk dome tweeters
- Two Focus crossover networks
- Two metal woofer grilles with trays
- Two compact flush-mount fixtures
- Two compact angle-mount fixtures
- Butyl adhesive putty for woofer grilles
- Eight 8 x 1 1/2" (38.1mm) wood screws
- Eight custom installation mounting clips
- Eight 8 x 1" (25mm) sheet metal screws
- Eight factory installation mounting clips
- Two 1" (25mm) machine screws
- Two metal spring clips for tweeter fixtures
- Four speaker wire bundles with pre-attached connectors

FEATURES

- Low mass poly injection cone bodies for enhanced accuracy & sound quality
- High flow ventilation stamped steel basket design
- Over hung butyl rubber surround for deeper bass response
- NOMEX/ROMEX spider assemblies for strong durable suspension
- Shallow mount designs for American & foreign cars and trucks
- 20mm swiveling silk dome neodymium tweeters

SPECIFICATIONS

Model	F4.0	F5.25	F5x7	FS6.5
Diameter (inches)	4"	5-1/4"	5" x 7"	6-1/2"
Diameter (mm)	102mm	133mm	127mm x 178mm	165mm
Description	2-Way	2-Way	2-Way	2-Way
Impedance	4-Ohm	4-Ohm	4-Ohm	4-Ohm
Frequency Response	50Hz - 22kHz	30Hz - 22kHz	35Hz - 22kHz	25Hz - 22kHz
Sensitivity	86dB	87dB	88dB	89dB
Power Handling (watts)	200 Max	300 Max	400 Max	400 Max

Model	F4x6	F6x9	EQ-693
Diameter (inches)	4" x 6"	6" x 9"	6" x 9"
Diameter (mm)	102mm x 152mm	152mm x 229mm	152mm x 229mm
Description	2-Way	3-Way	3-Way
Impedance	4-Ohm	4-Ohm	4-Ohm
Frequency Response	40Hz - 22kHz	20Hz - 22kHz	35Hz - 22kHz
Sensitivity	89dB	90dB	93dB
Power Handling (watts)	300 Max	600 Max	800 Max

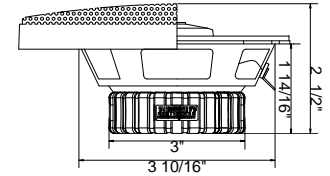
INSTALLATION

Model	F4.0	F5.25	F5x7	FS6.5
Grilles	Yes	Yes	Yes	Yes
Mounting Diameter (inches)	3-10/16"	4-7/16"	7-2/8" x 5"	4-15/16"
Mounting Diameter (mm)	93mm	114mm	130mm x 185mm	125mm
Mounting Depth (inches)	1-14/16"	2"	2-5/16"	1-13/16"
Mounting Depth (mm)	48mm	51mm	59mm	45mm

Model	F4x6	F6x9	EQ-693
Grilles	Yes	Yes	Yes
Mounting Diameter (inches)	5-1/2" x 3-3/8"	6" x 8-3/4"	6" x 8-3/4"
Mounting Diameter (mm)	140mm x 86mm	153mm x 222mm	153mm x 222mm
Mounting Depth (inches)	2-3/16"	3-3/8"	3-3/8"
Mounting Depth (mm)	56mm	86mm	86mm

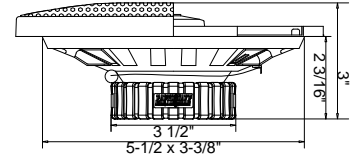
F4.0 / 2-Way Speaker System:

- Two 4" poly cone woofers with built-in 20mm swiveling silk dome neodymium tweeters
- Two matching metal woofer grilles with trays
- Butyl adhesive putty for woofer grilles
- Eight speaker mounting clips
- Eight 1"(25mm) screws
- Two speaker wire sets with pre-attached connectors



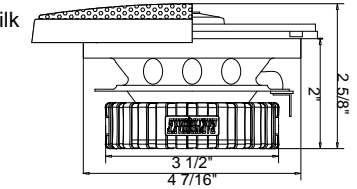
F4x6 / 2-Way Speaker System:

- Two 4" x 6" poly cone woofers with built-in 20mm swiveling silk dome neodymium tweeters
- Two matching metal woofer grilles with trays
- Butyl adhesive putty for woofer grilles
- Eight speaker mounting clips
- Eight 1"(25mm) screws
- Two speaker wire sets with pre-attached connectors



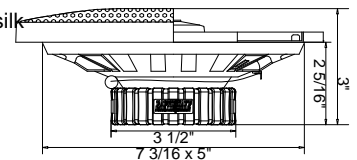
F5.25 / 2-Way Speaker System:

- Two 5-1/4" poly cone woofers with built-in 20mm swiveling silk dome neodymium tweeters
- Two matching metal woofer grilles with trays
- Butyl adhesive putty for woofer grilles
- Eight speaker mounting clips
- Eight 1"(25mm) screws
- Two speaker wire sets with pre-attached connectors



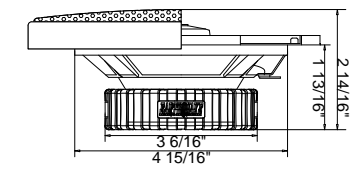
F5x7 / 2-Way Speaker System:

- Two 5" x 7" poly cone woofers with built-in 20mm swiveling silk dome neodymium tweeters
- Two matching metal woofer grilles with trays
- Butyl adhesive putty for woofer grilles
- Eight speaker mounting clips
- Eight 1"(25mm) screws
- Two speaker wire sets with pre-attached connectors



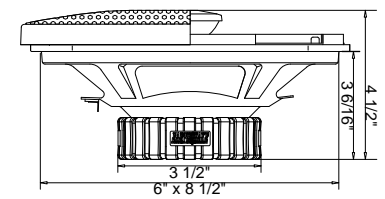
FS6.5 / 2-Way Speaker System:

- Two shallow 6-1/2" poly cone woofers with built-in 20mm swiveling silk dome neodymium tweeters
- Two matching metal woofer grilles with trays
- Butyl adhesive putty for woofer grilles
- Eight speaker mounting clips
- Eight 1"(25mm) screws
- Two speaker wire sets with pre-attached connectors



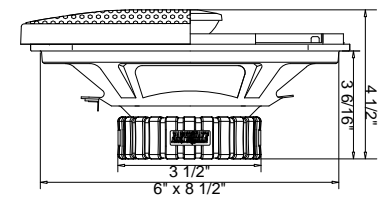
F6x9 / 3-Way Speaker System:

- Two shallow 6" x 9" poly cone woofers with built-in 20mm swiveling silk dome neodymium tweeters and a 2" super dome mid-range drivers
- Two matching metal woofer grilles with trays
- Butyl adhesive putty for woofer grilles
- Eight speaker mounting clips
- Eight 1"(25mm) screws
- Two speaker wire sets with pre-attached connectors

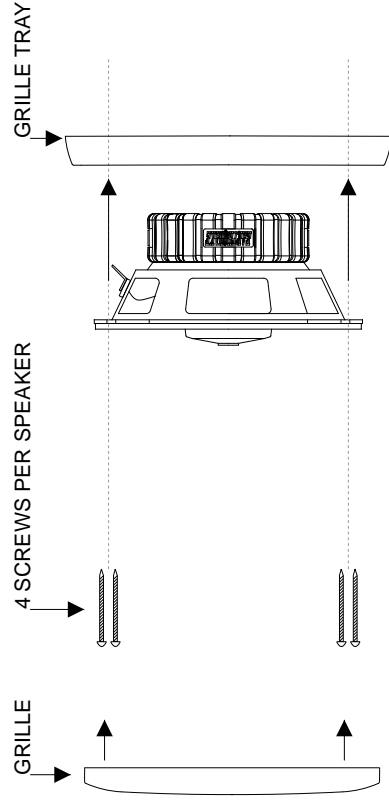


EQ-693 / 3-Way Speaker System:

- Two shallow 6" x 9" poly cone woofers with built-in 20mm swiveling silk dome neodymium tweeters and a 2" super dome extended frequency mid-range drivers
- Two matching metal woofer grilles with trays
- Butyl adhesive putty for woofer grilles
- Eight speaker mounting clips
- Eight 1"(25mm) screws
- Two speaker wire sets with pre-attached connectors

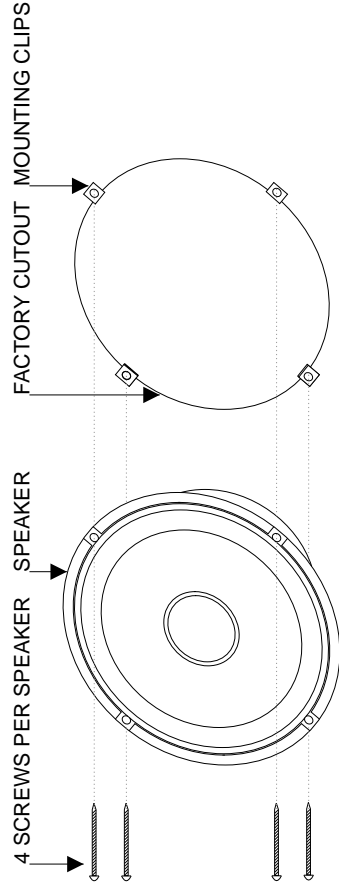


CUSTOM SPEAKER INSTALLATION



NOTE:
INSTALLATION APPLIES TO BOTH COMPONENT AND COAXIAL SPEAKERS

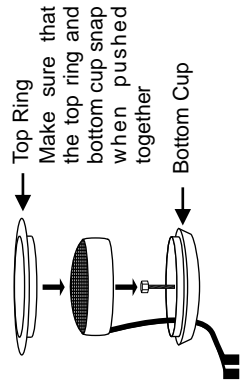
FACTORY REPLACEMENT INSTALLATION



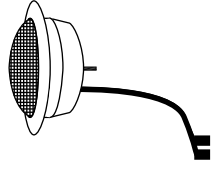
NOTE:
INSTALLATION APPLIES TO BOTH COMPONENT AND COAXIAL SPEAKERS

NOTE:
Hand tighten the screws in a crisscross pattern to avoid bending the speaker basket or stripping screws.

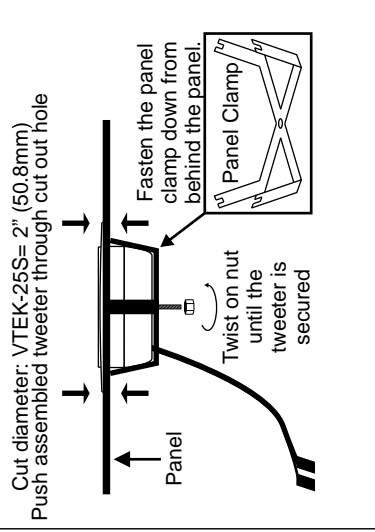
Flush Mount Assembly



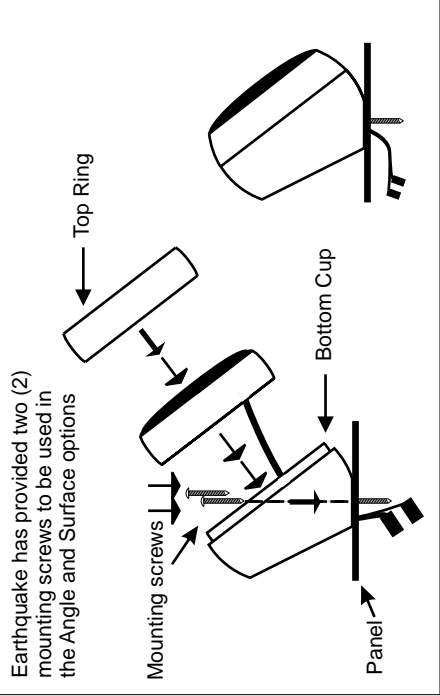
Flush Mount Complete assembly



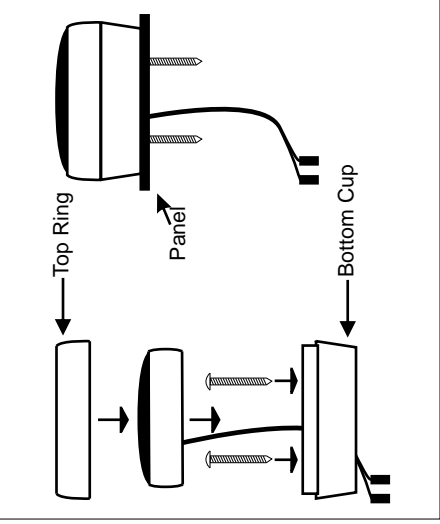
Flush Mount Installation



Angle Mount Assembly & Installation



Surface Mount Assembly & Installation



COMPONENT SET WIRING DIAGRAM

