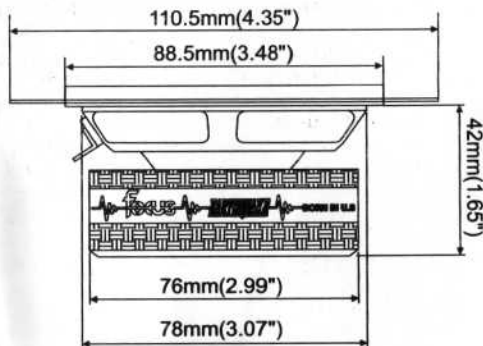


Focus F3.5 Specifications and Installation

FEATURES

- Low mass poly injection cone bodies for enhanced accuracy & sound quality
- High flow ventilation stamped steel basket design
- Over hung butyl rubber surround for deeper bass response
- NOMEX/ROMEX spider assemblies for strong durable suspension
- Shallow mount designs for American & foreign cars and trucks
- 20mm swiveling silk dome neodymium tweeters



F3.5 / 2-Way Speaker System:

- Two 3.5" fiber impregnated poly cone mids with built-in 20mm swiveling silk dome neodymium tweeters
- Butyl adhesive putty for woofer grilles
- Two 1"(25mm) screws
- Two speaker wire sets with pre-attached connectors

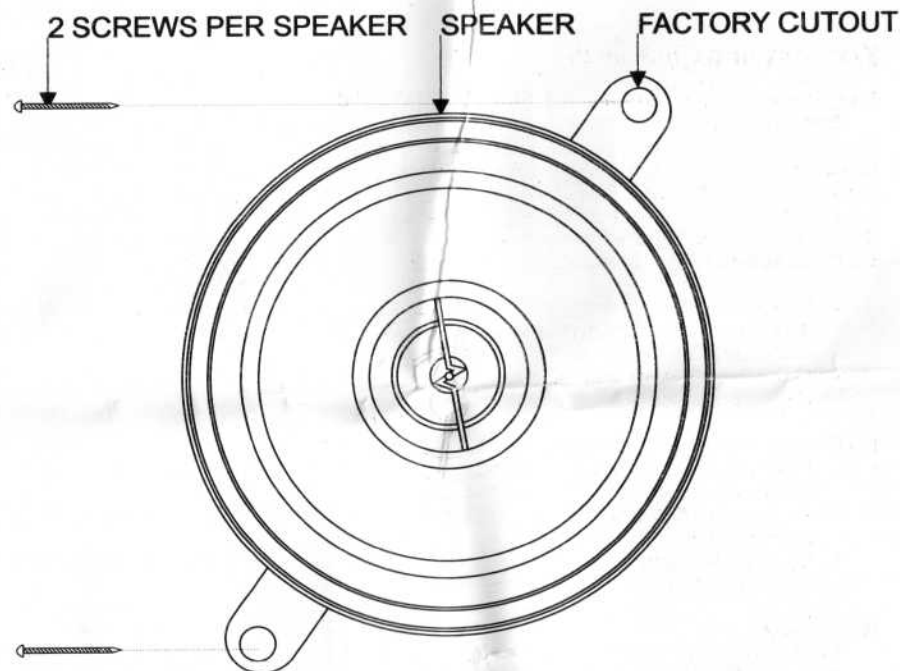
SPECIFICATIONS

Model	F3.5
Diameter (inches)	3.48"
Diameter (mm)	88.5mm
Description	2-Way
Impedance	4-Ohm
Frequency Response	85Hz - 22kHz
Sensitivity	90dB
Power Handling (watts)	100 Max

INSTALLATION

Grilles	No
Mounting Diameter (inches)	3.07"
Mounting Diameter (mm)	78mm
Mounting Depth (inches)	1.65"
Mounting Depth (mm)	42mm

SPEAKER INSTALLATION



NOTE:

Hand tighten the screws in a crisscross pattern to avoid bending the speaker basket or stripping screws.

5-Year Limited Warranty

Regarding Your Warranty:

Thank you for purchasing Earthquake Sound car audio products. With proper installation and responsible listening, your Earthquake Sound car audio products will give you years of phenomenal listening enjoyment. We strongly recommend having your Earthquake products installed by an authorized Earthquake Sound dealer. Installation professionals employed by the dealer have the appropriate tools and knowledge to properly install your Earthquake Sound car audio products.

Please read the warranty information in its entirety and use good judgement when making these vital decisions.

Warranty and Guidelines

Five (5) Year Limited Warranty: CARAUDIO PRODUCTS

Earthquake Sound warrants to the original purchaser that all Factory Sealed New Audio Products to be free of defects in material and workmanship, under normal and proper use, for a period of five (5) years from the date of purchase (as shown on the original bill of sale with serial number affixed/written on it). **The five (5) year limited warranty period is valid only if the product is purchased from and properly installed by an authorized Earthquake Sound dealer/installer, and the warranty registration card is properly completed and mailed to Earthquake Sound Corporation.**

- Products that are purchased from non-authorized dealer are not covered by warranty.
- If the product is not installed by an authorized dealer, then only a ninety (90) day warranty period applies.
- Open box, B-stock and DEMO products have only a thirty (30) day warranty from the date of purchase.

(A) Five (5) Year Limited Warranty Plan Coverage Guidelines:

- **First year:** Earthquake pays for labor, parts and ground freight (only in US mainland, not including Alaska, Puerto Rico and Hawaii) back to customer.
- **Second, third, fourth & fifth year:** Earthquake pays labor only. Customer must pay for parts, re-packing (if needed) and freight both ways.
- **Earthquake agrees to repair or replace – at our option – all such defective products/parts.**

(B) Warning:

Products (sent in for repair) that are tested by Earthquake technicians and deemed to have no problem will not be covered by the five (5) year limited warranty. Customer will be charged a minimum of one (1) hour of labor (ongoing rate) plus shipping and handling charges.

(C) Warranty Limitations:

- Defective products/parts have not been altered or repaired by other than an Earthquake factory approved technician.
- Products/parts were not subjected to negligence, improper use or accident, damaged by improper line voltage, used in incompatible products, or have its serial number or any part of it altered, defaced or removed, or have been used in any way that is contrary to Earthquake's written instructions.
- Damaged to speaker cabinet and cabinet finish due to misuse, abuse, or use of improper cleaning materials/methods.
- Bent speaker frame, broken speaker connectors, holes in speaker cone, surround and dust cap, burnt speaker voice coil.
- Fading, deterioration of speaker components and finish due to improper exposure to elements.

Warranty and Guidelines (continued)

(C) Warranty Limitations (continued):

- Bent amplifier casing, damaged finish on the casing due to abuse or improper use of cleaning material.
- Burnt tracers on PCB.
- Products/parts damaged due to poor packaging or abusive shipping conditions.

(D) Service Request:

To receive product(s) service, contact Earthquake Sound's service department at (510) 732-1000 and request an RMA (Return Material Authorization) number. Items shipped without a valid RMA number will be refused. Make sure you provide us with your complete/correct shipping address (NO P.O. Box), a valid phone number and a brief description of the problem you are experiencing with the product(s). In most cases, our technicians might be able to resolve the problem over the phone, thus eliminating the need to ship the product(s).

(E) Shipping Instructions:

Product(s) must be packaged in its original protective box(es) to minimize transport damage, otherwise a re-packing charge may apply). Shipper claims regarding items damaged in transit must be presented to carrier. Earthquake Sound Corporation reserves the right to refuse products that are improperly packed. Copy of original bill of sale must accompany the product(s) being returned for service. We encourage you to include a written description of the problem along with the package.

Ship product(s) to:

Earthquake Sound Corporation
2727 McCone Avenue. Hayward, CA 94545
Phone: 510-732-1000

You are responsible for the cost of shipping and insurance for the product(s). Please be sure to write the RMA number on every box.

(F) Disputes Resolution:

All disputes – between client(s) and Earthquake Sound Corporation – resulting from the five (5) year limited warranty policy must be resolved according to the laws and regulations of the county of Alameda, California.

Alternatively you may register your products online at:
http://www.earthquakesound.com/form_reg.htm

Earthquake Sound Corporation
2727 McCone Avenue Hayward, CA 94545
Phone: 510-732-1000
Fax: 510-732-1095
www.earthquakesound.com



Sound That Will Move You

www.earthquakesound.com

SPECIFICATIONS ARE SUBJECT TO CHANGE WITHOUT NOTICE.