

Specification

Nominal Basket Diameter	6-5/8", 169.5mm
Nominal Impedance	8-Ohms
Power Rating	60 Watts
Resonance	377Hz
Usable Frequency Range	377Hz - 5kHz
Sensitivity	93dB to 110dB
Magnet Weight	37.8 oz.
Voice Coil Diameter	1 3/8", 30.5mm

Thiele & Small Parameters

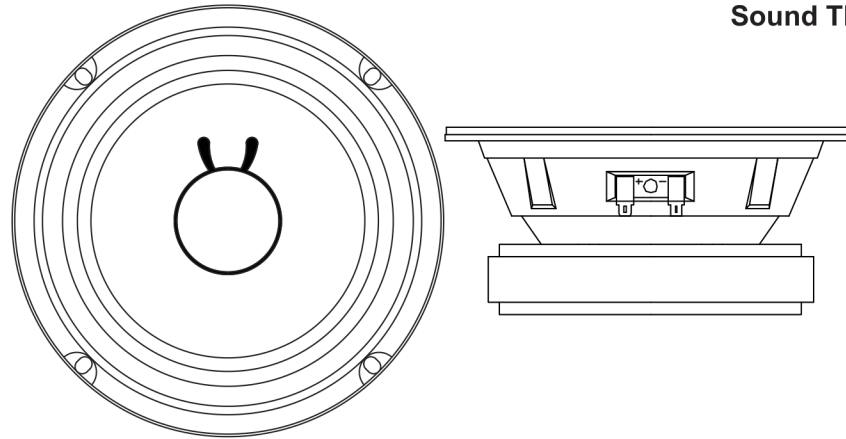
Resonant Frequency (fs)	377.331Hz ±15%
DC resistance (Re)	6.5 Ohms
Coil Inductance (Le)	278.353mH @ 1kHz
Mechanical Q (Qms)	4.122
Electromagnetic Q (Qes)	1.720
Total Q (Qts)	1.214
Compliance Equivalent Volume (Vas)	436.075mLtr/0.015 ft3
Mechanical Compliance of Suspension (Cms)	16.905mm/N
BL Product (BL)	9.711 T-M
Diaphragm Mass (Mmd)	9.624 grams
Maximum Linear Excursion (Xmax)	0.2mm
Surface Area of Cone (Sd)	134.782 sqM

Mounting Information

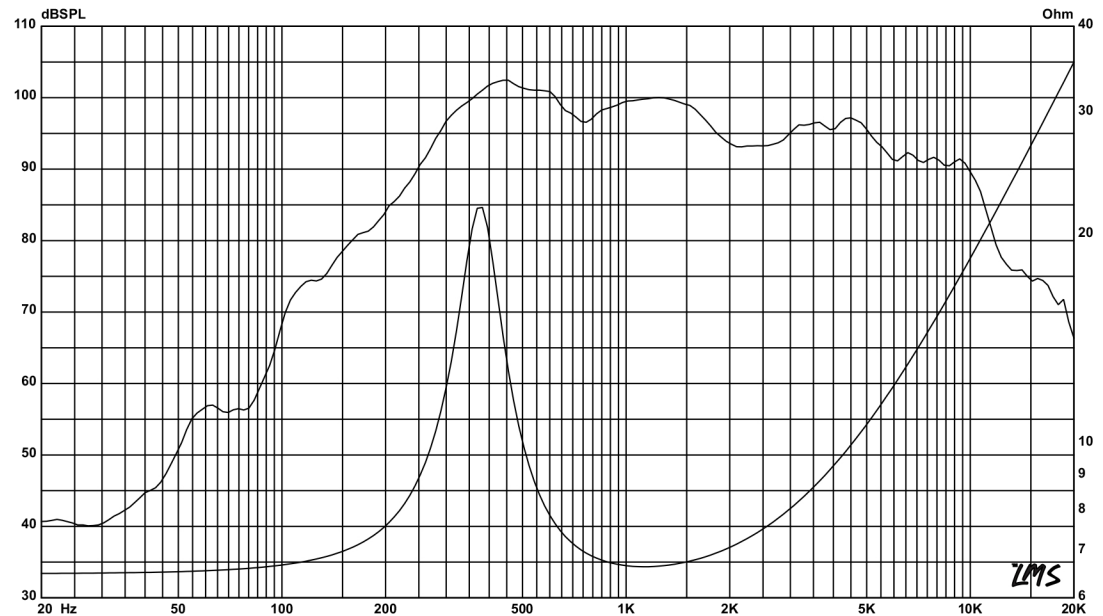
Recommended Enclosure Volume	
Sealed	
Vented	
Overall Diameter	6-5/8", 169.5mm
Cut Out Diameter	5-5/8", 142mm
Front Sealing Gasket	fitted as standard
Rear Sealing Gasket	fitted as standard
Mounting Holes Diameter	0.27" x 0.21" , 7.0mm x 5.5mm
Depth	2-7/8", 71.7mm

Materials of Construction

Copper voice coil
 Polyimide former
 Ferrite magnet
 Vented and extended core
 Stamped steel basket
 Paper cone
 Cloth surround
 Solid composition paper dust cap



Earthquake EQ-6-S8 Pro Audio Series



SPL vs Freq