

## Specification

Nominal Basket Diameter	6-5/8", 168mm
Nominal Impedance	8-Ohms
Power Rating	50 Watts
Resonance	112.4Hz
Usable Frequency Range	112Hz - 10kHz
Sensitivity	96dB
Magnet Weight	17.8 oz.
Voice Coil Diameter	1 3/8", 35.5mm

## Thiele & Small Parameters

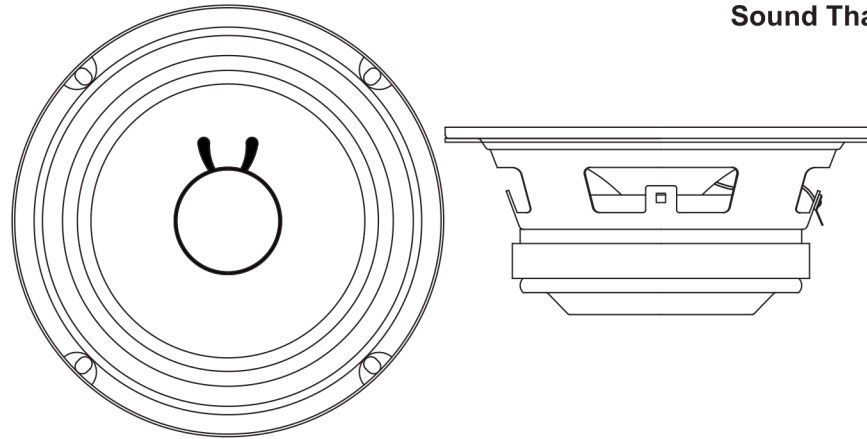
Resonant Frequency (fo)	112.375Hz ±15%
DC resistance (Re)	6.8 Ohms
Coil Inductance (Le)	396.050 mH @ 1kHz
Mechanical Q (Qms)	4.999
Electromagnetic Q (Qes)	0.958
Total Q (Qts)	0.804
Compliance Equivalent Volume (Vas)	4.122 liters/0.14 ft3
Mechanical Compliance of Suspension (Cms)	159.797mm/N
BL Product (BL)	7.932 T•M
Diaphragm Mass (Mmd)	11.653 grams
Maximum Linear Excursion (Xmax)	3.5mm
Surface Area of Cone (Sd)	134.782 sqM

## Mounting Information

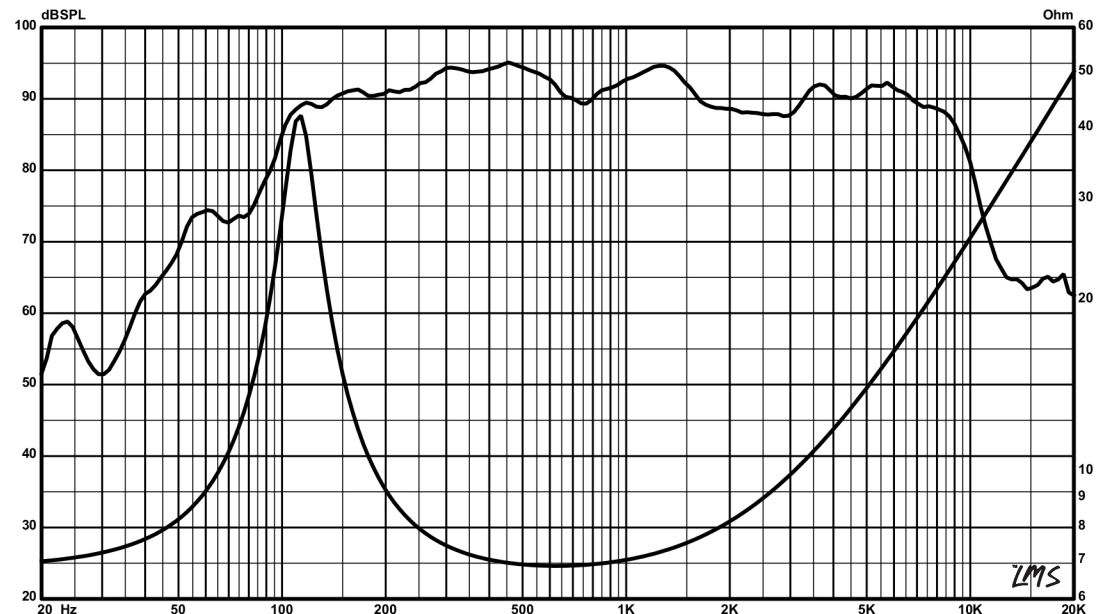
Recommended Enclosure Volume	
Sealed	2.8-5.7 liters/0.1-0.2 ft3
Vented	3.4-15.6 liters/0.12-0.55 ft3
Overall Diameter	6-5/8", 168mm
Cut Out Diameter	5-5/8", 144mm
Front Sealing Gasket	fitted as standard
Rear Sealing Gasket	fitted as standard
Mounting Holes Diameter	0.27" x 0.21" , 4-5.5mm x 6.8mm
Depth	2-5/8", 66.9mm

## Materials of Construction

Copper voice coil  
 Polyimide former  
 Ferrite magnet  
 Vented and extended core  
 Stamped steel basket  
 Paper cone  
 Cloth surround  
 Solid composition paper dust cap



## Earthquake EQ-6-8 Pro Audio Series



SPL vs Freq