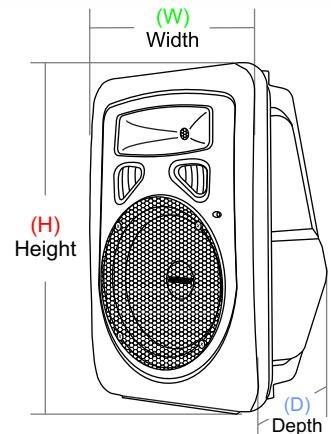


# DJ-8M

## 8" Powered 2-Way Monitor/PA Speaker

Model:  
DJ-8M



DJ-8M

(H) Height	16-1/2"
(W) Width	11-1/2"
(D) Depth	10-1/2"



### OBJECTIVE

The new DJ-8M from Earthquake is the instant, all-purpose sound reinforcement solution for anyone anywhere.

For easy system integration, each DJ-8M is self-powered using a high efficiency 480 Watt MAX amplifier. A 1/4" Jack input for microphone means you can connect a dynamic microphone directly to the system for quick on-the-fly speak applications. It can easily be placed on any surface or mounted on a pole.

Small footprint, lightweight and versatile - the DJ-8M is perfect for virtually any situation where sound reinforcement is needed. It's perfect for public address, karaoke, live reinforcement, club use or impromptu speaking at coffee shops, schools, fitness centers, etc.

### INTENDED USE

- ✓ DJ and/or Pro Sound applications
- ✓ PA systems
- ✓ Schools, halls, places of worship
- ✓ Conference/meeting rooms
- ✓ Gyms/fitness centers

### SPECIAL FEATURES & HIGHLIGHTS

- Built-in 480 Watts MAX amplifier
- 8-inch woofer with 1.5-inch voice coil
- Compression Tweeter driver with 1-inch voice coil
- Wide dispersion horn design for maximum uniform coverage
- Impact resistant nylon fiber reinforced ABS cabinet
- 1/4-inch microphone input with separate gain control
- Line RCA inputs
- 1/4-inch output connector
- Bass & treble tone control
- Master volume output control
- Stand mountable
- Rear clip alert red LED indicator
- Front signal presence blue LED indicator
- 110V/220V selectable switch
- Speaker stands sold separately (model no.ST-60AP)

### SPECIFICATIONS

DJ-8M	
Amplifier Power	480 Watts
Frequency Response	60Hz - 18kHz
Weight	17.4 lbs
Finish	Black
MSRP	\$299.00/pc

Earthquake Europe

Mogensensvej 29, 5000 Odense C, Denmark | E-mail: [support@earthquakesound.dk](mailto:support@earthquakesound.dk)  
[www.earthquakesound.eu](http://www.earthquakesound.eu) | [www.earthquakesound.dk](http://www.earthquakesound.dk)