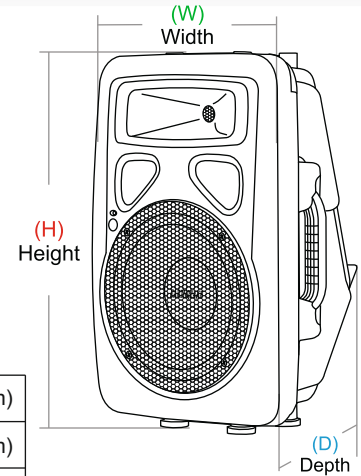


# DJ-10M

## 10" Powered 2-Way Monitor/PA Speaker

Model:  
**DJ-10M**



**DJ-10M**

(H) Height	21-1/4" (540mm)
(W) Width	13-1/2" (343mm)
(D) Depth	12" (305mm)



### OBJECTIVE

The new DJ-10M from Earthquake is the instant, all-purpose sound reinforcement solution for anyone anywhere.

For easy system integration, each DJ-10M is self-powered using a high efficiency 600 Watt MAX amplifier. A 1/4" Jack input for microphone means you can connect a dynamic microphone directly to the system for quick on-the-fly speak applications. It can easily be placed on any surface or mounted on a pole.

Small footprint, lightweight and versatile - the DJ-10M is perfect for virtually any situation where sound reinforcement is needed. It's perfect for public address, karaoke, live reinforcement, club use or impromptu speaking at coffee shops, schools, fitness centers, etc.

### INTENDED USE

- ✓ DJ and/or Pro Sound applications
- ✓ PA systems, Karaoke, live music
- ✓ Schools, halls, places of worship
- ✓ Conference/meeting rooms
- ✓ Gyms/fitness centers

### SPECIAL FEATURES & HIGHLIGHTS

- Built-in 600 Watts MAX amplifier
- 10-inch woofer with 1.5-inch voice coil
- Compression Tweeter driver with 1-inch voice coil
- Wide dispersion horn design for maximum uniform coverage
- Impact resistant nylon fiber reinforced ABS cabinet
- 1/4-inch microphone input with separate gain control
- Line RCA inputs
- 1/4-inch output connector
- Bass & treble tone control
- Master volume output control
- Stand mountable
- Rear clip alert red LED indicator
- Front signal presence blue LED indicator
- 110V/220V selectable switch
- Speaker stands sold separately (model no.ST-60AP)

### SPECIFICATIONS

<b>DJ-10M</b>	
Amplifier Power	600 Watts
Frequency Response	50Hz - 20kHz
Weight	25 lbs (11.3kg)
Finish	Black
MSRP	\$399.00/pc