

# SUPER TWEETERS

PRODUCT RELEASE



Sound That Will Move You.

## HD250-X HORN DRIVER

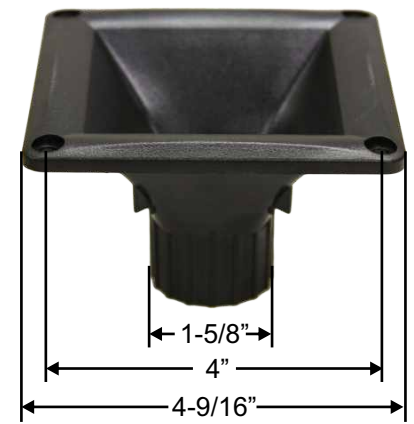
Earthquake's Horn Tweeter is used for midrange applications. Its phenolic diaphragm produces high fidelity sound throughout midrange frequencies.



## FEATURES

- Kapton copper voice coil
- High Sensitivity
- Low Distortion
- Smooth Response
- Die cast aluminum housing

## EQ11-25



Mounting Depth: 3"

## BT44S BULLET TWEETER

The BT44S is a heavy duty titanium bullet tweeter. It efficiently hits highs and mids and can adapt to any system.



## FEATURES

- Titanium dome
- Ferrofluid cooled
- Die cast aluminum housing
- Kapton voice coil
- Crossover capacitor included

	MSRP
HD250-X	\$89
EQ11-25	\$9
BT44S	\$39