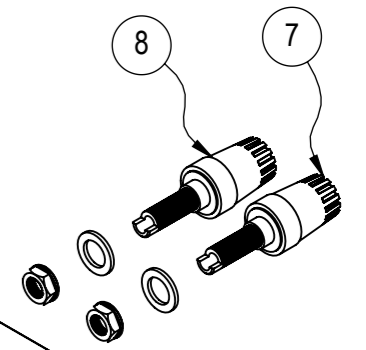
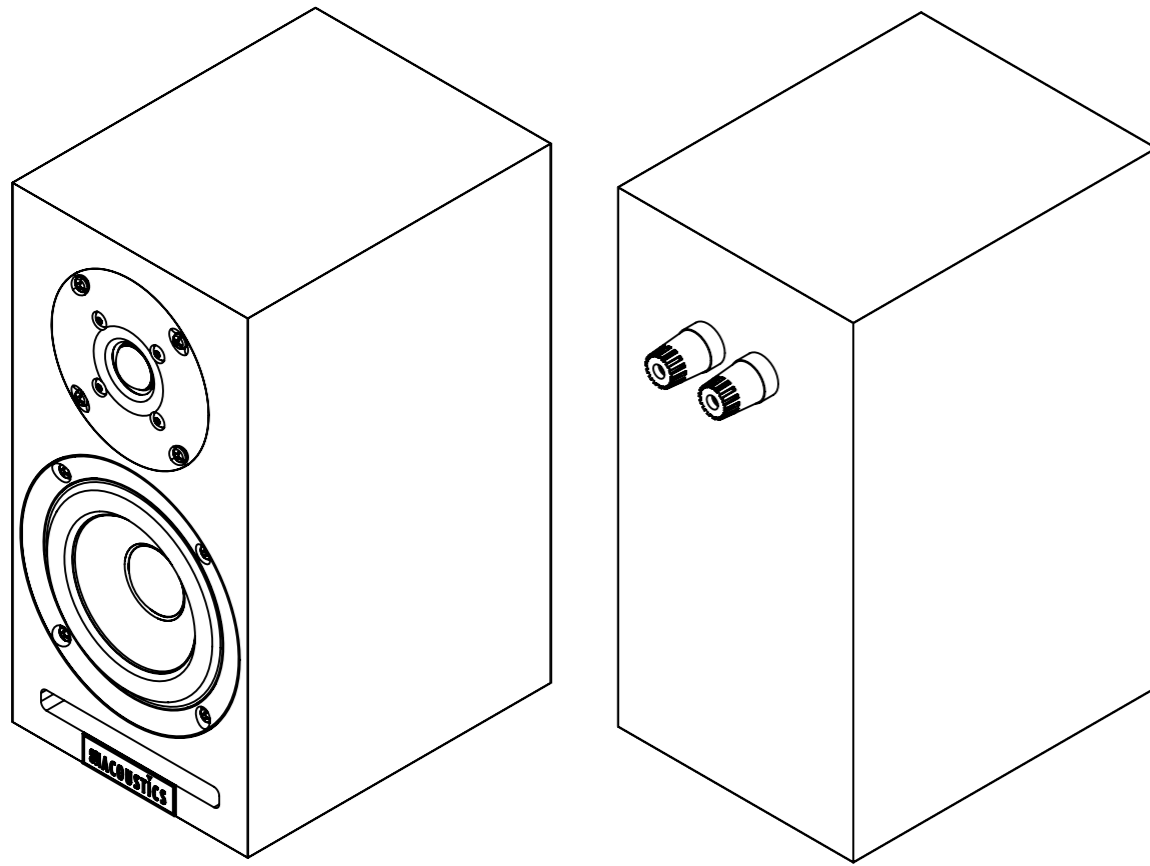
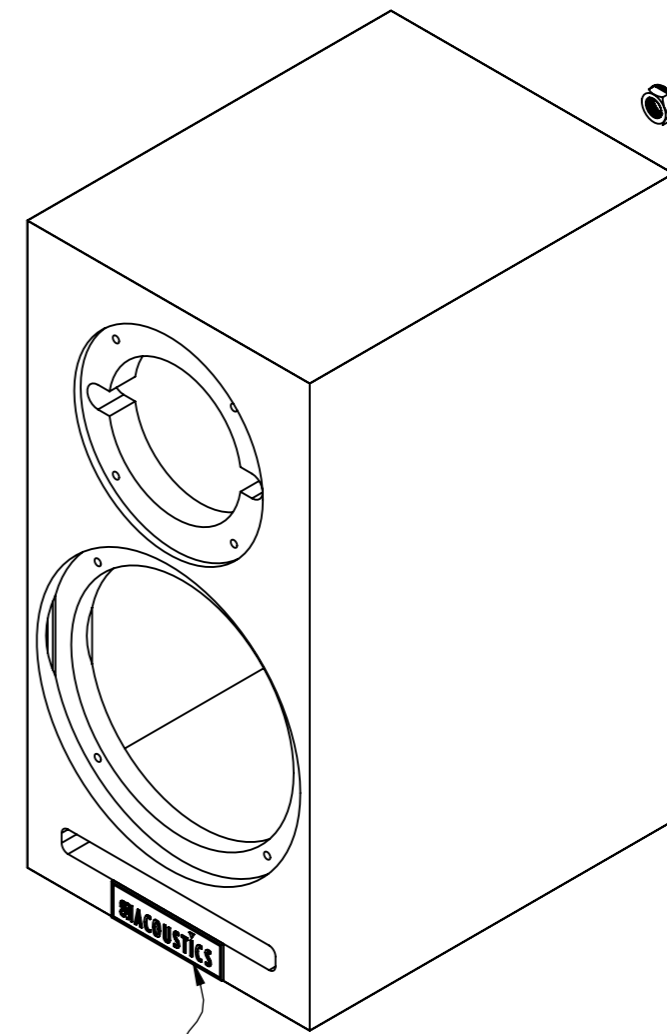
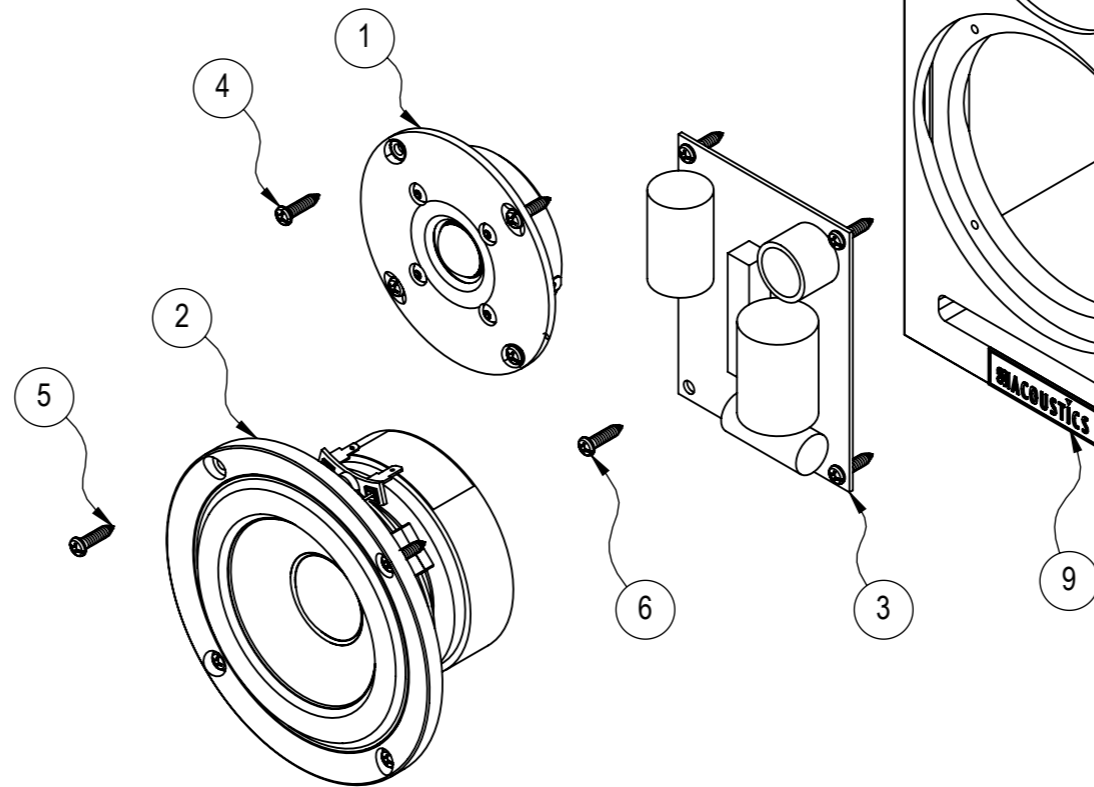
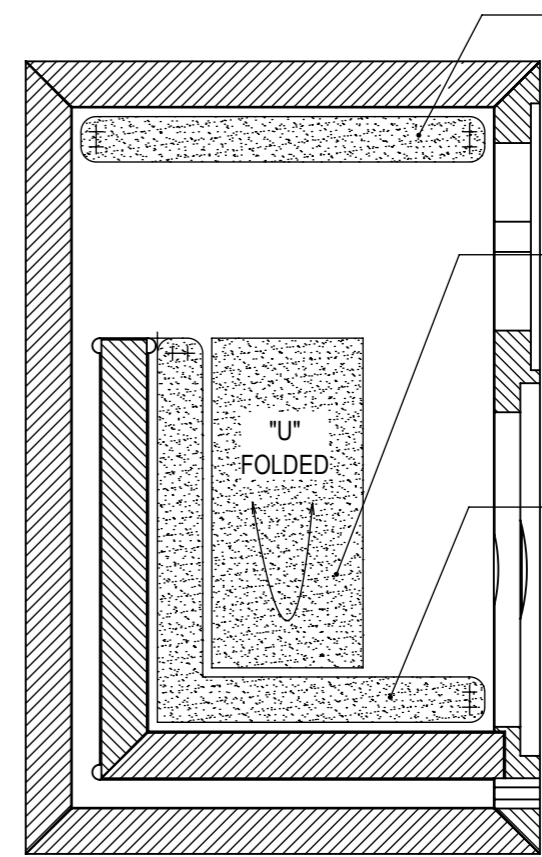
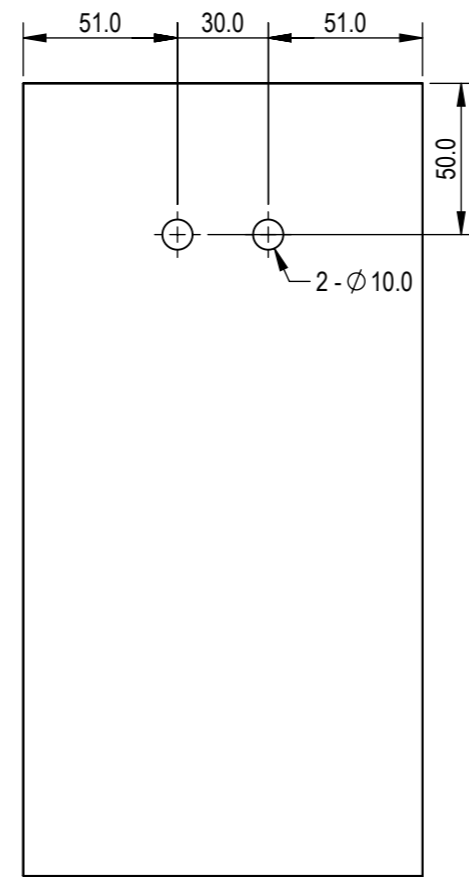
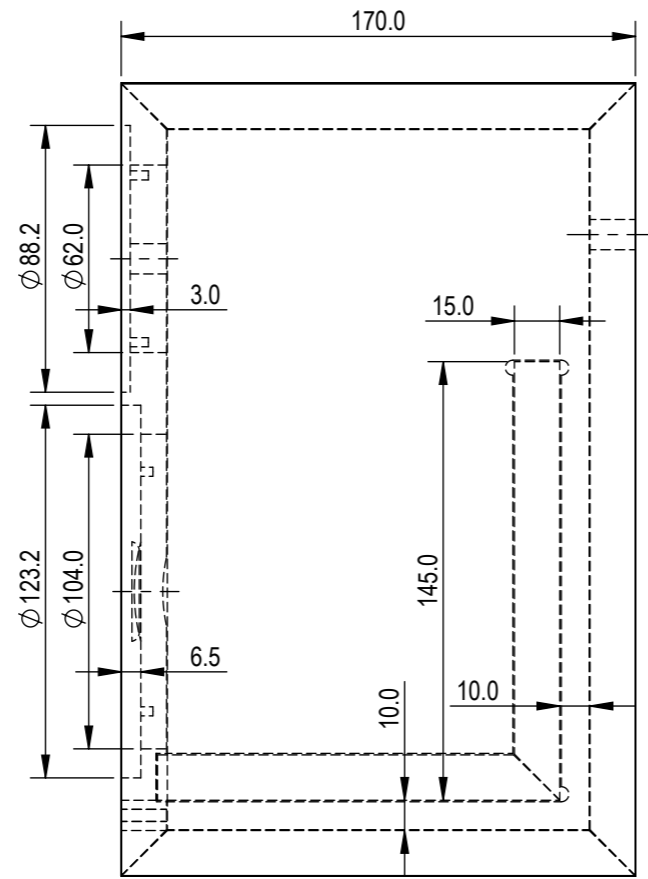
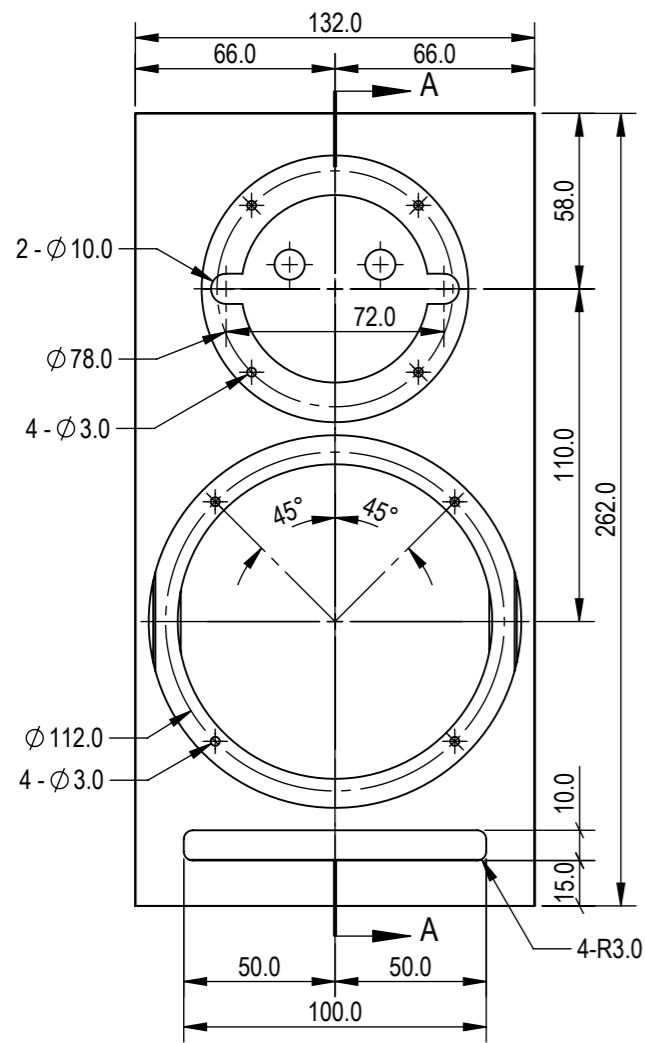


MICRO CAC - EXPLODED VIEW

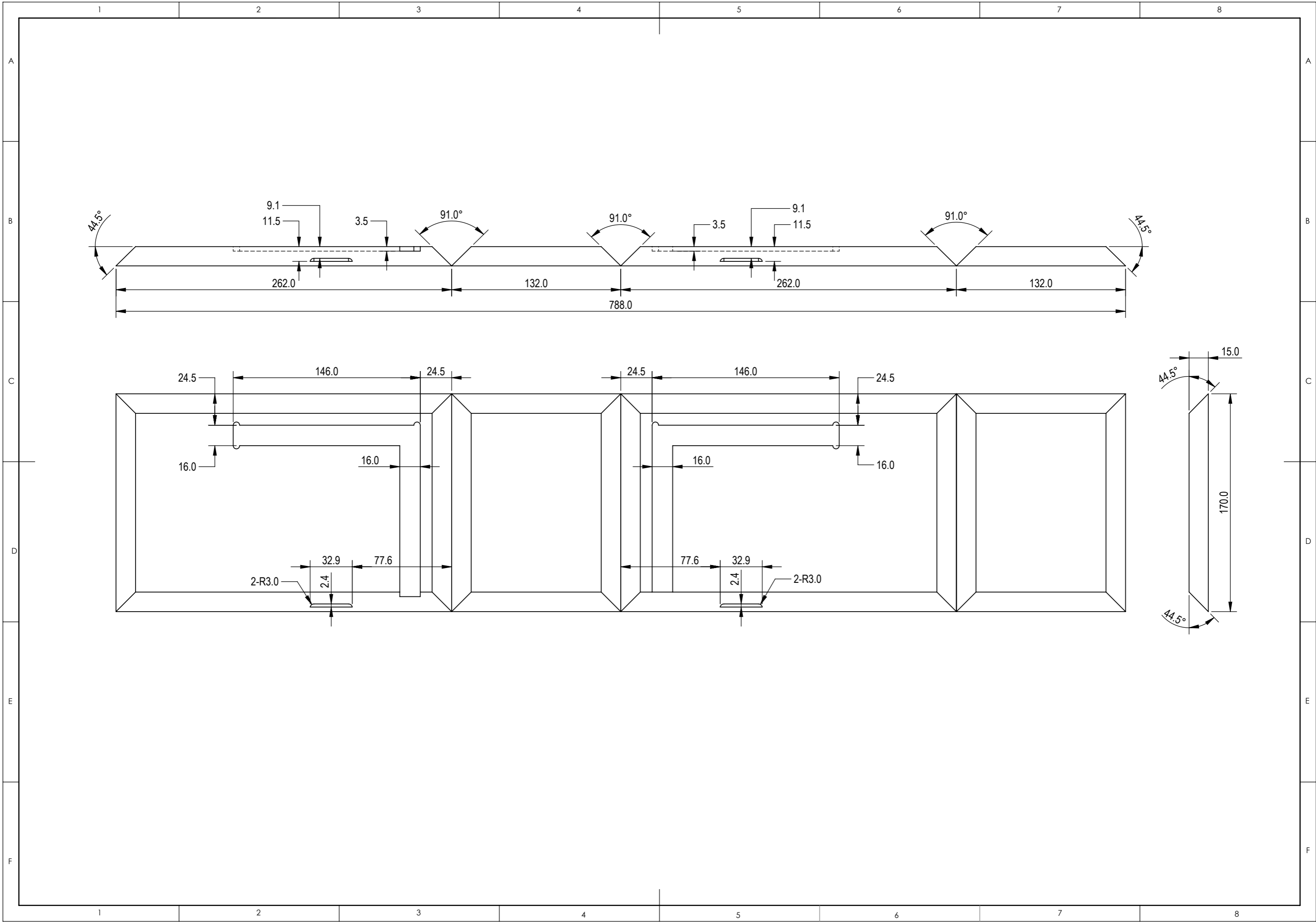


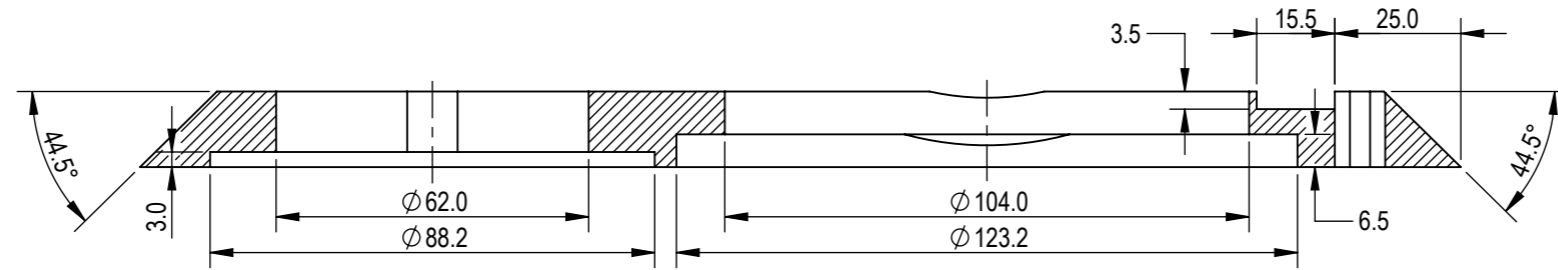
NO.	PART LIST	QTY.
1	SB19ST-C000-4 (Sold Separately)	1
2	SB12CAC25-4 (Sold Separately)	1
3	Micro CAC Crossover (Sold Separately)	1
4	Wood Screw 3½x20mm (Not included)	4
5	Wood Screw 4x20mm (Not Included)	4
6	Wood Screw 4x16mm (From Kit Crossover)	4
7	Binding Post (-) (Black)	1
8	Binding Post (+) (Red)	1
9	Name Plate	1
10	Damping Material (See Cut Pattern)	1





- DAMPING MATERIAL A
DAMPING TYPE 9oz
SIZE : 100x40
QTY : 1 PCS
USED FOR TOP CABINET
- DAMPING MATERIAL B
DAMPING TYPE 9oz
SIZE : 50x280
QTY : 1 PCS
USED FOR MIDDLE CABINET
- DAMPING MATERIAL C
DAMPING TYPE 9oz
SIZE : 100x215
QTY : 1 PCS
USED FOR BOTTOM CABINET





SECTION A-A
SCALE 2 : 3

