

### Features

- DIY/OEM friendly platform
- Configurable by software
- Plug-In based configurations

### Hardware

- 172MHz - 28/56bit DSP
- 24bit ADC / DAC
- 96kHz sample rate
- 114dB DR ADC converters
- 114dB DR DAC converters
- Balanced & Unbalanced connectivity on RCA and terminal blocks
- I2S In & Out connectivity for miniDIGI/miniAMP boards

### External control

- Master volume control by pot
- I.R. remote control for preset and master volume control

### Software Control

- USB 2.0 interface
- Plug&Play - No driver required
- WinXP/Vista/7 & Mac compatible
- Firmware upgradeable for future expansion

### Power

- Single external 12VDC supply
- Remote IN/OUT turns for Car environment

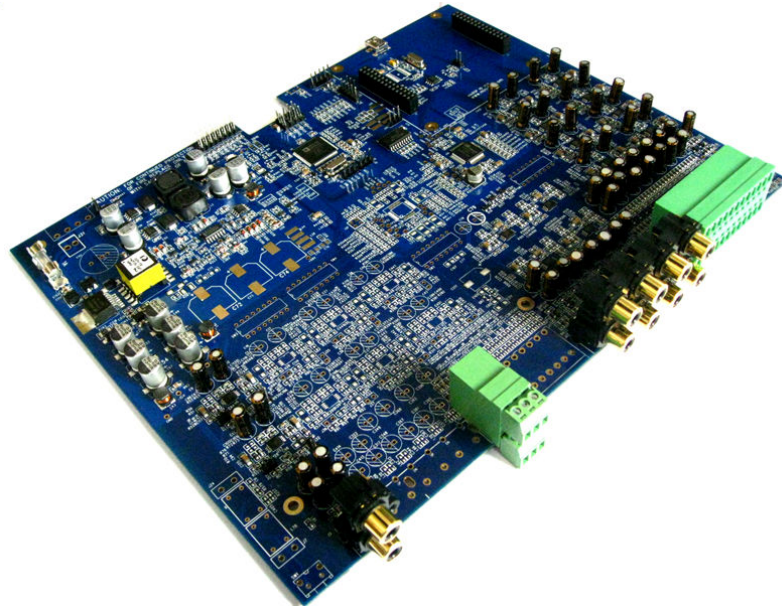
### Applications

- Multi-way speaker processing
- System equalization
- Mobile Audio

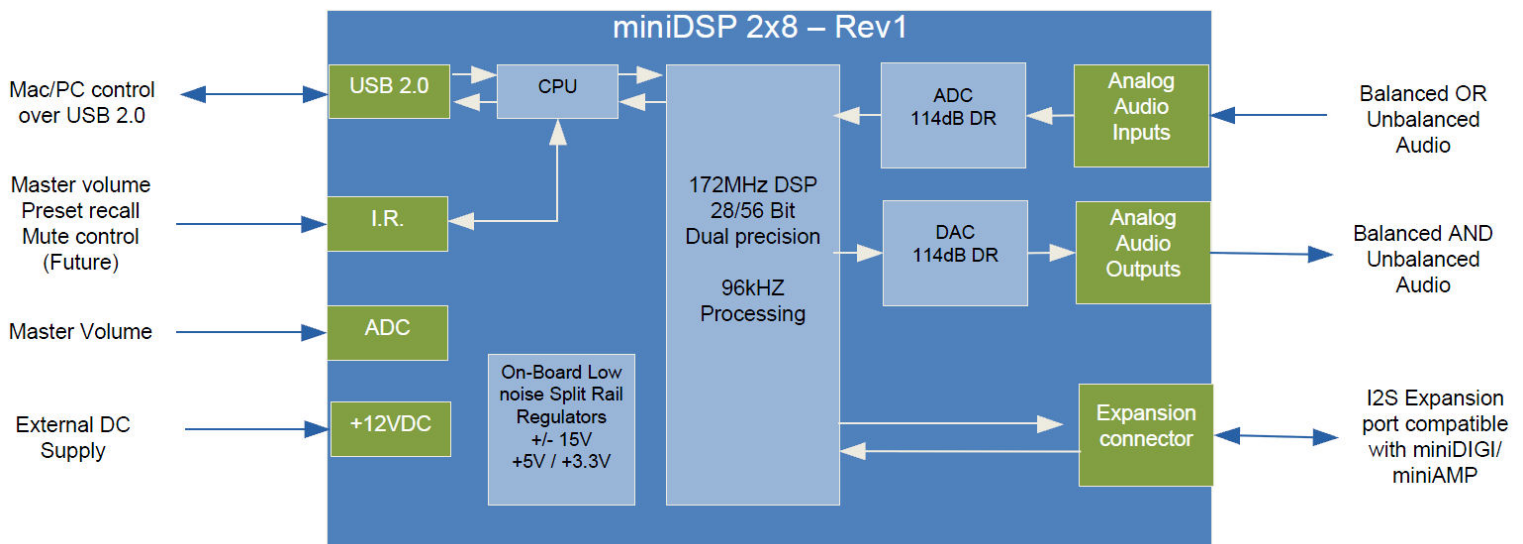
**miniDSP 2x8 kit** is an enhanced and innovative platform from the miniDSP Team. Combining high quality audio algorithms, 24bit/96kHz digital audio processing and high specs ADC/DAC converters, the platform follows the footsteps of our successful line of low cost digital audio processors. With balanced or un-balanced analog audio, I2S interfacing to miniDIGI/miniAMP, the miniDSP 2x8 kit answers the connectivity needs of most DSP audio projects.

**miniDSP 2x8 kit** ranks high on versatility thanks to our unique product concept of audio plug-ins: 'a single hardware platform for many applications'. From a multi-way speaker processor to system equalization, the miniDSP platforms are the perfect fit for a wide range of applications. At miniDSP, we aim high at following the needs of OEM, DIYers and audio fanatics by delivering low cost digital audio processing platform with no compromise on audio quality.

*miniDSP: innovative Digital Audio Processors*



miniDSP 2x8 System Diagram



## HARDWARE TECHNICAL SPECIFICATIONS

Item	Description
Digital Signal Processor	172MHz, 28/56bit Digital Signal Processor
Control	Driverless USB 2.0 control interface for Windows/Mac OS x environments
Audio inputs	Balanced (Phoenix Terminal Block) OR Unbalanced (RCA) inputs
Audio outputs	Balanced (Phoenix Terminal Block) AND Unbalanced (RCA) outputs
ADC/DAC Resolution - Sample rate	24bits bit depth - 96kHz sample rate
Dynamic range of ADC/DAC converters	114dB
Maximum Input signal	RCA input: 2Vrms (8 dBu) in unbalanced mode Phoenix terminal: 4Vrms (14 dBu) unbalanced OR 8Vrms (20dBu) balanced
Maximum Output signal	RCA output: 2Vrms (8 dBu) in unbalanced mode Phoenix terminal : 4Vrms (14 dBu) unbalanced OR 8Vrms (20dBu) balanced
Infrared Red (I.R) receiver	Front panel I.R. receiver controls volume, mute and preset recall
Expansion Bus	I2S in&out expansion connector compatible with miniDIGI I/O card
USB port	miniUSB port and 5pin standard header for panel mount USB connector
Power supply	Single 12Vdc power supply, 18W power supply - Terminal block connector
Remote IN/OUT	Remote In/Out turns off power of the unit with a delay for car environments
Dimensions (H x W x D) mm	30 x 200 x 250 mm

### Top view

